

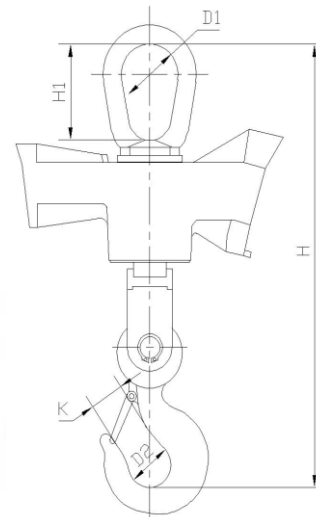


# DIGITAL CRANE SCALE

## Model VHS-311

### STANDARD FEATURES

- Good dynamic weighing performance, not affected by swaying action
- High internal resolution of 1,000,000 and reliable stability
- kg / lb selectable
- Auto shutoff function
- Auto recording of 13 latest weight data, and data retained at power off
- LED display
- Aluminum Casing
- Displayed battery voltage
- Built-in Rechargeable battery



### OPTIONAL:

Remote LED Display



### SPECIFICATIONS

Capacity	1,000kg (2200lb)	3,000kg (6600lb)	5,000kg (11000lb)	10,000kg (22000lb)	20,000kg (44000lb)	30,000kg (66000lb)
Graduation	0.5kg (1lb)	1kg (2lb)	2kg (5lb)	5kg (10lb)	10kg (20lb)	10kg (20lb)
Dimension of display	5 digits 30mm (1.2") LED					
Dimension (H)	422mm (16.6")	455mm (17.9")	572mm (22.5")	672mm (26.5")	1020mm (40.5")	1180mm (46.5")
Dimension (H1)	100mm (3.9")	100mm (3.9")	115mm (4.5")	138mm (5.4")	230mm (9.1")	290mm(11.4")
Dimension (D1)	65mm (2.6")	65mm (2.6")	75mm (3")	90mm (3.5")	130mm (5.1")	160mm (6.3")
Dimension (D2)	36mm (1.4")	50mm (2")	60mm (2.4")	70mm (2.8")	125mm (4.9")	125mm (4.9")
Dimension (K)	27mm (1.1")	31mm (1.2")	48mm (1.9")	57mm (2.3")	90mm (3.5")	100mm (3.9")
Net Weight	16kg (35lb)	16.7kg (37lb)	22.2kg (49lb)	35.4kg (78lb)	86kg (189lb)	153kg (367lb)
Gross Weight	23kg (51lb)	24kg (53lb)	29kg (64lb)	43kg (95lb)		
Packing Dimension	570 x 320 x 490mm (22 x 13 x 19")			630 x 500 x 330mm (25 x 20 x 13")		
Safe Overload	120% Full Scale					
Operating Humidity	≤ 90% R.H.					
Battery Life	60 hours					

\* Specifications are subject to change without prior notice

### Virtual Measurements & Control Inc

3196 Coffey Lane, Suite 604, Santa Rosa, CA95403  
Tel: (707) 573 3111 Fax: (707) 573 3113

### Virtual Measurements & Control (Asia) Pte Ltd

5 Tanjong Penjuru Crescent, Singapore 608970  
Tel: (65) 6762 5522 Fax: (65) 6763 6656

Dealer