

DIGITAL CRANE SCALE

Model VHS-310

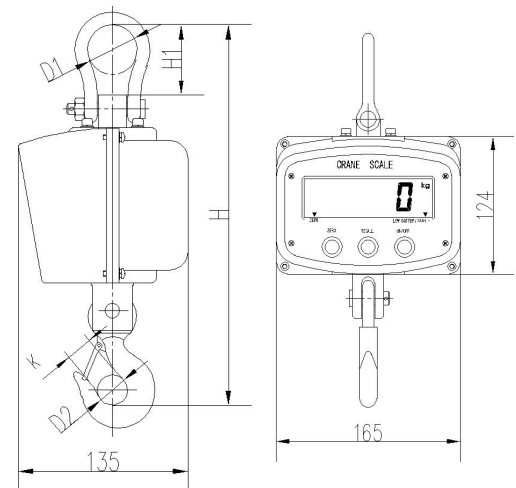
STANDARD FEATURES

- Good dynamic weighing performance, not affected by swaying action
- High internal resolution of 1,000,000 and reliable stability
- Auto shutoff function
- Auto recording of 13 latest weight data, and data retained at power off
- LCD display with backlight
- ABS Plastic Enclosure
- Displayed battery voltage
- Built-in Rechargeable battery
- Remote Controller (On/Off, Zero, Backlight)



SPECIFICATIONS

Capacity	100kg (220lb)	300kg (660lb)	500kg (1100lb)	1000kg (2200lb)
Graduation	0.05kg (0.1lb)	0.1kg (0.2lb)	0.2kg (0.5lb)	0.5kg (1lb)
Dimension of display	5 digits 23.8mm (0.9") LCD			
Dimension (H)	315mm (12.4")		345mm (13.8")	
Dimension (H1)	55mm (2.2")		55mm (2.2")	
Dimension (D1)	45mm (1.8")		45mm (1.8")	
Dimension (D2)	28mm (1.1")		28mm (1.1")	
Dimension (K)	25mm (1")		25mm (1")	
Net Weight	2.5kg (5.5lb)		4kg (8.8lb)	
Gross Weight	3.5kg (7.7lb)		5kg (11lb)	
Packing Dimension	280mm x 230mm x 200mm 11" x 9" x 8"			
Safe Overload	120% Full Scale			
Operating Humidity	90% R.H.			
Battery Life	40 hours (without backlight)			



* Specifications are subject to change without prior notice