



Virtual
Measurements
& Control

If you can conceive it, we can measure and control it
Virtual Measurements & Control (Asia) Pte Ltd

VC-202-PWT-S VC-202-PWT-L PALLET WEIGH TRUCK



FEATURES:

The Pallet weigh truck maximize efficiency by eliminating wasted time and floor space when checking inbound and outbound shipping weights of up to 2500kg

Accuracy of $\pm 0.1\%$ greater than most fork lift scales

Greater convenience & efficiency

Instant check of truck loading by weight

Up to 10 hours battery life (rechargeable)

Multi-purpose mobile weighing



VC 201

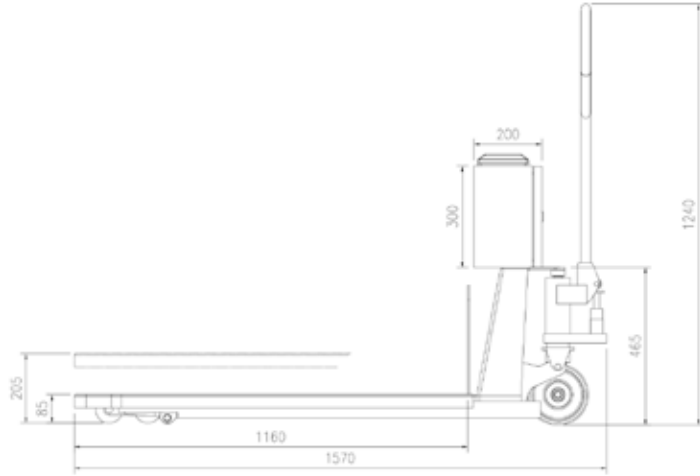


VC 202

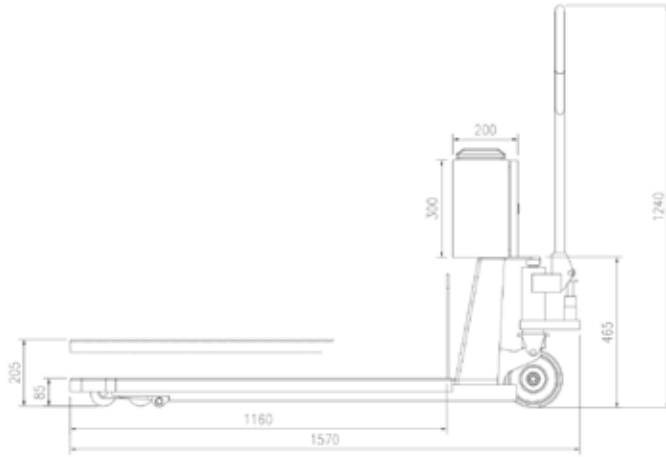


VC 203

VC-202-PWT SERIES



VC-202-PWT-S



VC-202-PWT-L



SPECIFICATIONS – Pallet Weigh Truck (VC-202-PWT-S/VC-202-PWT-L)

MODEL	VC-202-PWT-S	VC-202-PWT-L
Weigh Indicator	VMC VC-202	
Capacity	2500kg x 0.5kg	
Power	AC230V with rechargeable battery	
Fork Length	1160mm	
Fork Width	560mm	705mm

* Specifications are subject to change without prior notice



Virtual
Measurements
& Control

If you can conceive it, we can measure and control it

Virtual Measurements & Control (Asia) Pte Ltd

Virtual Measurements & Control (Asia) Pte Ltd

5 Tanjong Penjuru Crescent Singapore 608970

Tel: (65) 6361 0610 | Fax: (65) 6763 6656

Email: sales@virtualmc.com

www.virtualmc.com

Distributed by: