



Shear Beam Load Cell

# VLC-A100 / VLC-A100S

**APPLICATIONS**

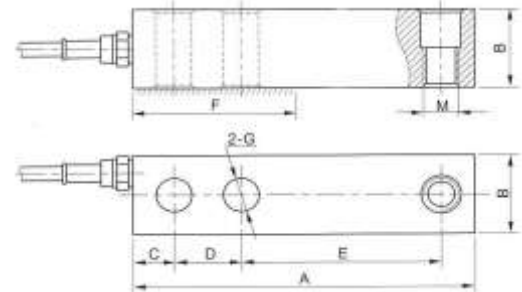
- Tank Weighing
- Hopper weighing
- Platform scales

**WIRING**

RED	Input (+)
BLACK	Input (-)
GREEN	Output (+)
WHITE	Output (-)

**CAPACITY (lb)**

250, 500
----------

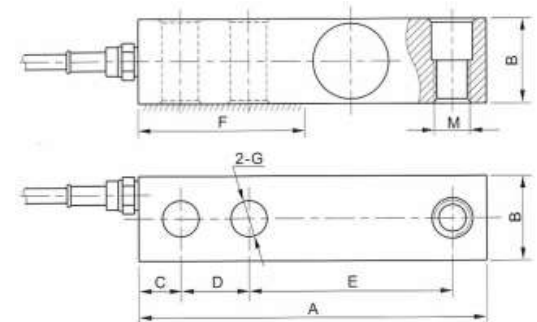


**SPECIFICATIONS**

Rated Output	3mV/V ± 0.2%
Non-Linearity	0.03% F.S.
Hysteresis	0.03% F.S. (VLC-A100)
	0.05% F.S. (VLC-A100S)
Non-repeatability	0.02% F.S.
Creep (in 1 hr)	0.03% F.S.
Zero Balance	± 1%
Temp. effect span	15 PPM/°C
Temp. effect zero	26 PPM/°C
Operating Temp. range	- 20°C ~ + 60°C
Compensated Temp. range	- 10°C ~ + 40°C
Input resistance	385 ± 15Ω / 410 ± 15Ω
Output resistance	350 ± 3Ω
Safe overload	150% F.S.
Ultimate overload	300% F.S.
Excitation voltage	10VDC/AC
Max. Excitation voltage	15VDC/AC
Insulation resistance	≥ 2000MΩ
Environmental protection	IP67
Material	Alloy tool steel (VLC-A100)
	Stainless steel (VLC-A100S)
Cable length	20FT

**CAPACITY (klb)**

1, 2, 2.5, 4, 5(se), 5, 10, 15, 20
------------------------------------



**DIMENSION**

Capacity (klb)	Size (inch)							Thread inch
	A	B	C	D	E	F	G	M
0.25 - 5se	5.12	1.26	0.62	1.00	3.00	2.20	0.53	½ - 20UNF-2B
5 - 10	6.75	1.50	0.75	1.50	3.75	3.00	0.79	¾ - 16 UNF-2B
15 - 20	8.76	2.00	1.00	2.00	4.87	4.02	1.06	1 - 14 UNF-2B

Virtual Measurements & Control Inc

3196 Coffey Lane, Suite 604, Santa Rosa, CA95403  
Tel: (707) 573 3111 Fax: (707) 573 3113

Dealer

Virtual Measurements & Control (Asia) Pte Ltd

5 Tanjong Penjuru Crescent S608970  
Tel: (65) 6361 0610 Fax: (65) 6763 6656



Shear Beam Load Cell

# VLC-B100 / VLC-B100S

**APPLICATIONS**

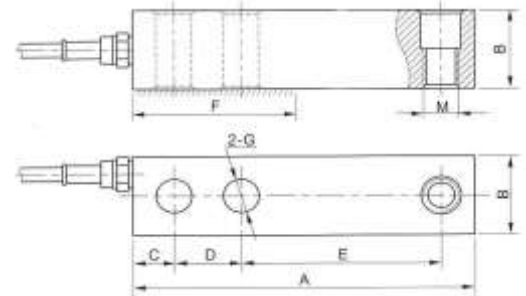
- Tank Weighing
- Hopper weighing
- Platform scales

**WIRING**

RED	Input (+)
BLACK	Input (-)
GREEN	Output (+)
WHITE	Output (-)

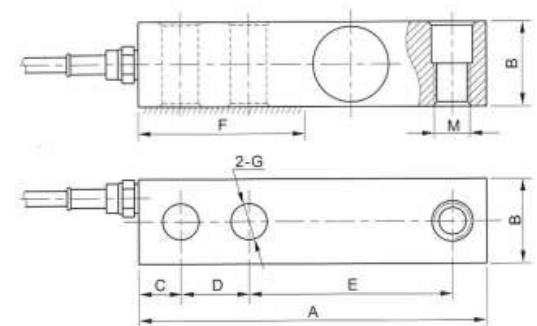
**CAPACITY (lb)**

250, 500



**CAPACITY (klb)**

1, 2, 2.5, 4, 5(se), 5, 10, 15, 20



**SPECIFICATIONS**

Rated Output	3mV/V ± 0.2%
Non-Linearity	0.03% F.S.
Hysteresis	0.03% F.S. (VLC-B100)
	0.05% F.S. (VLC-B100S)
Non-repeatability	0.02% F.S.
Creep (in 1 hr)	0.03% F.S.
Zero Balance	± 1%
Temp. effect span	15 PPM/°C
Temp. effect zero	26 PPM/°C
Operating Temp. range	- 20°C ~ + 60°C
Compensated Temp. range	- 10°C ~ + 40°C
Input resistance	385 ± 15Ω / 410 ± 15Ω
Output resistance	350 ± 3Ω
Safe overload	150% F.S.
Ultimate overload	300% F.S.
Excitation voltage	10VDC/AC
Max. Excitation voltage	15VDC/AC
Insulation resistance	≥ 2000MΩ
Environmental protection	IP67
Material	Alloy tool steel (VLC-B100)
	Stainless steel (VLC-B100S)
Cable length	20FT

**DIMENSION**

Capacity (klb)	Size (inch)							Thread inch
	A	B	C	D	E	F	G	M
0.25 - 5se	5.12	1.26	0.62	1.00	3.00	2.20	0.53	½ - 20UNF-2B
5 - 10	6.75	1.50	0.75	1.50	3.75	3.00	0.79	¾ - 16 UNF-2B
15 - 20	8.76	2.00	1.00	2.00	4.87	4.02	1.06	1 - 14 UNF-2B

Virtual Measurements & Control Inc

196 Coffey Lane, Suite 604, Santa Rosa, CA95403  
Tel: (707) 573 3111 Fax: (707) 573 3113

Virtual Measurements & Control (Asia) Pte Ltd

5 Tanjong Penjuru Crescent S608970  
Tel: (65) 6361 0610 Fax: (65) 6763 6656

Dealer



Shear Beam Hermetically Sealed Load Cell

# VLC-A100SH

**APPLICATIONS**

- Tank Weighing
- Hopper weighing
- Platform scales

**WIRING**

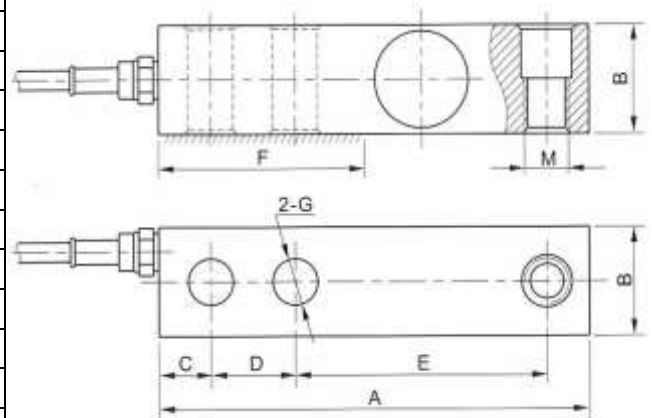
RED	Input (+)
BLACK	Input (-)
GREEN	Output (+)
WHITE	Output (-)

**CAPACITY (klb)**

1, 2.5, 4, 5, 10
------------------

**SPECIFICATIONS**

Rated Output	3mV/V ± 0.2%
Non-Linearity	0.03% F.S.
Hysteresis	0.03% F.S.
Non-repeatability	0.02% F.S.
Creep (in 1 hr)	0.03% F.S.
Zero Balance	± 1%
Temp. effect span	15 PPM/°C
Temp. effect zero	26 PPM/°C
Operating Temp. range	- 20°C ~ + 60°C
Compensated Temp. range	- 10°C ~ + 40°C
Input resistance	410 ± 15Ω
Output resistance	350 ± 3Ω
Safe overload	150% F.S.
Ultimate overload	300% F.S.
Excitation voltage	10VDC/AC
Max. Excitation voltage	15VDC/AC
Insulation resistance	≥ 2000MΩ
Environmental protection	IP68
Material	Stainless steel
Cable length	20FT



**DIMENSION**

Capacity (klb)	Size (inch)							Thread inch
	A	B	C	D	E	F	G	M
1 - 4	5.12	1.26	0.62	1.00	3.00	2.20	0.53	½ - 20UNF-2B
5 - 10	6.75	1.50	0.75	1.50	3.75	3.00	0.79	¾ - 16 UNF-2B

**Virtual Measurements & Control Inc**

196 Coffey Lane, Suite 604, Santa Rosa, CA95403  
Tel: (707) 573 3111 Fax: (707) 573 3113

**Virtual Measurements & Control (Asia) Pte Ltd**

5 Tanjong Penjuru Crescent S608970  
Tel: (65) 6361 0610 Fax: (65) 6763 6656

Dealer



Shear Beam Load Cell

# VLC-B100 / VLC-B100S

**APPLICATIONS**

- Tank Weighing
- Hopper Weighing
- Platform Scales

**WIRING**

RED	Input (+)
BLACK	Input (-)
GREEN	Output (+)
WHITE	Output (-)

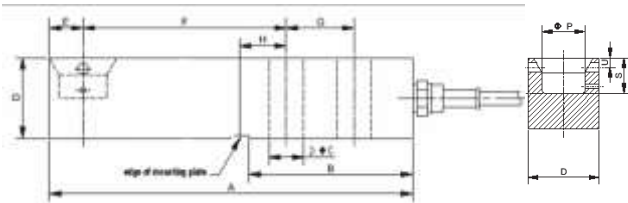
**CAPACITY (lb)**

250, 500
----------



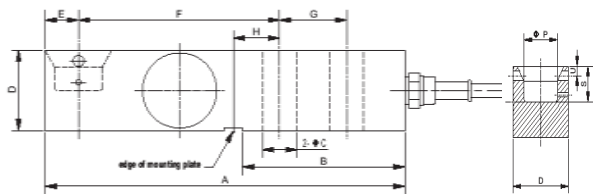
**SPECIFICATIONS**

Rated Output	3mV/V ± 0.2%
Non-Linearity	0.03% F.S.
Hysteresis	0.03% F.S. (VLC-B100) 0.05% F.S. (VLC-B100S)
Non-repeatability	0.02% F.S.
Creep (in 1 hr)	0.03% F.S.
Zero Balance	± 1%
Temp. effect span	15 PPM/°C
Temp. effect zero	26 PPM/°C
Operating Temp. range	- 20°C ~ + 60°C
Compensated Temp. range	- 10°C ~ + 40°C
Input resistance	385 ± 15Ω / 410 ± 15Ω
Output resistance	350 ± 3Ω
Safe overload	150% F.S.
Ultimate overload	300% F.S.
Excitation voltage	10VDC/AC
Max. Excitation voltage	15VDC/AC
Insulation resistance	≥ 2000MΩ
Environmental protection	IP67
Material	Alloy tool steel (VLC-B100) Stainless steel (VLC-B100S)
Cable length	20FT



**CAPACITY (klb)**

1, 2, 2.5, 4, 5
-----------------



**DIMENSION**

Capacity (klb)	Size (inch)										
	A	B	C	D	E	F	G	H	P	S	U
0.25 - 5	5.37	2.42	0.51	1.18	0.50	3.00	1.00	0.68	7.09	0.59	0.16

Virtual Measurements & Control Inc

196 Coffey Lane, Suite 604, Santa Rosa, CA95403  
Tel: (707) 573 3111 Fax: (707) 573 3113

Virtual Measurements & Control (Asia) Pte Ltd

5 Tanjong Penjuru Crescent S608970  
Tel: (65) 6361 0610 Fax: (65) 6763 6656

Dealer



Shear Beam Hermetically Sealed Load Cell

# VLC-B100SH

**APPLICATIONS**

- Tank Weighing
- Hopper Weighing
- Platform Scales

**WIRING**

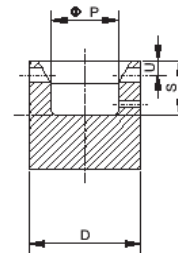
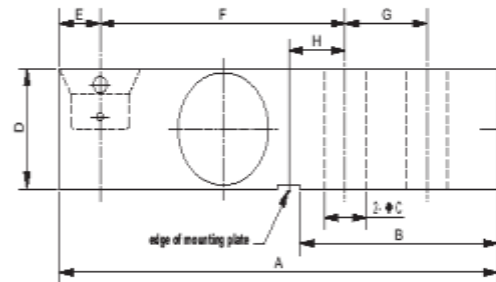
RED	Input (+)
BLACK	Input (-)
GREEN	Output (+)
WHITE	Output (-)

**CAPACITY (K)**

1, 2, 2.5, 4, 5
-----------------



SPECIFICATIONS	
Rated Output	3mV/V ± 0.2%
Non-Linearity	0.03% F.S.
Hysteresis	0.03% F.S.
Non-repeatability	0.02% F.S.
Creep (in 1 hr)	0.03% F.S.
Zero Balance	± 1%
Temp. effect span	15 PPM/°C
Temp. effect zero	26 PPM/°C
Operating Temp. range	- 20°C ~ + 60°C
Compensated Temp. range	- 10°C ~ + 40°C
Input resistance	410 ± 15Ω
Output resistance	350 ± 3Ω
Safe overload	150% F.S.
Ultimate overload	300% F.S.
Excitation voltage	10VDC/AC
Max. Excitation voltage	15VDC/AC
Insulation resistance	≥ 2000MΩ
Environmental protection	IP68
Material	Stainless steel
Cable length	20FT



DIMENSION											
Capacity (K)	Size (inch)										
	A	B	C	D	E	F	G	H	P	S	U
1 - 5	5.37	2.42	0.51	1.18	0.50	3.00	1.00	0.68	7.09	0.59	0.16

**Virtual Measurements & Control Inc**

196 Coffey Lane, Suite 604, Santa Rosa, CA95403  
Tel: (707) 573 3111 Fax: (707) 573 3113

**Virtual Measurements & Control (Asia) Pte Ltd**

5 Tanjong Penjuru Crescent S608970  
Tel: (65) 6361 0610 Fax: (65) 6763 6656

Dealer



## Double Ended Shear Beam Load Cell

**VLC-A101****APPLICATIONS**

Tank, Bin, Silo  
Batching, Blending,  
Mixing Systems

**WIRING**

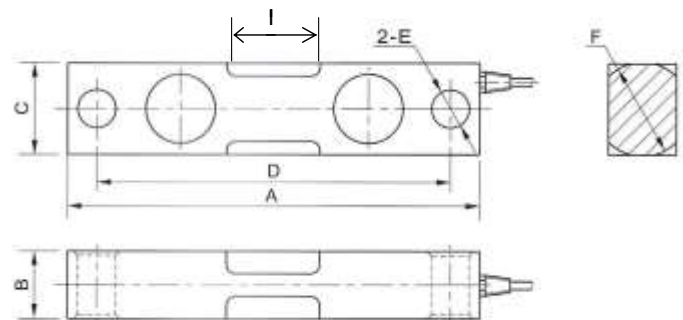
RED	Input (+)
BLACK	Input (-)
GREEN	Output (+)
WHITE	Output (-)

**CAPACITY (klb)**

1, 2, 2.5, 5, 10
15, 20, 25, 50, 75

**SPECIFICATIONS**

Rated Output	3mV/V $\pm$ 0.25%
Non-Linearity	0.03% F.S.
Hysteresis	0.03% F.S.
Non-repeatability	0.02% F.S.
Creep (in 1 hr)	0.03% F.S.
Zero Balance	$\pm$ 1%
Temp. effect span	15 PPM/ $^{\circ}$ C
Temp. effect zero	26 PPM/ $^{\circ}$ C
Operating Temp. range	- 20 $^{\circ}$ C ~ + 60 $^{\circ}$ C
Compensated Temp. range	- 10 $^{\circ}$ C ~ + 40 $^{\circ}$ C
Input resistance	770 $\pm$ 15 $\Omega$
Output resistance	700 $\pm$ 5 $\Omega$
Safe overload	150% F.S.
Ultimate overload	300% F.S.
Excitation voltage	10VDC/AC
Max. Excitation voltage	20VDC/AC
Insulation resistance	$\geq$ 2000M $\Omega$
Environmental protection	IP67
Material	Alloy tool steel
Cable length	50FT

**DIMENSION**

Capacity (klb)	Size (inch)						
	A	B	C	D	E	F	I
1-5	7.5	1.25	1.25	6.25	0.5	1.25	1.12
10-15	8.75	1.44	1.94	7.5	0.81	2	1.62
35	8.75	1.5	2.5	7.5	0.81	2.5	1.62
50-75	13.5	2.44	2.94	11.5	1.31	3	3.25

**Virtual Measurements & Control Inc**

196 Coffey Lane, Suite 604, Santa Rosa, CA95403  
Tel: (707) 573 3111 Fax: (707) 573 3113

**Virtual Measurements & Control (Asia) Pte Ltd**

5 Tanjong Penjuru Crescent S608970  
Tel: (65) 6361 0610 Fax: (65) 6763 6656

Dealer



Double Ended Shear Beam Load Cell

# VLC-A102

**APPLICATIONS**

Truck Scale, Tank, Bin,  
Silo Batching, Blending  
and Mixing System

**WIRING**

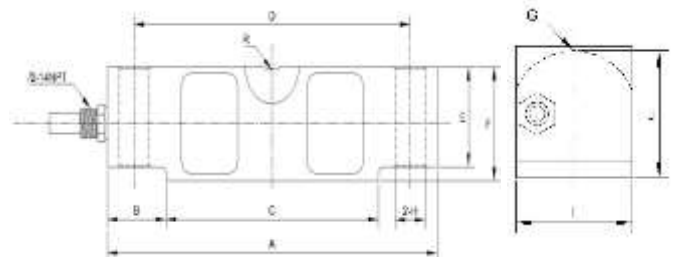
RED	Input (+)
BLACK	Input (-)
GREEN	Output (+)
WHITE	Output (-)

**CAPACITY (klb)**

10, 25, 40, 50, 75, 125 150, 200

**SPECIFICATIONS**

Rated Output	3mV/V ± 0.25%
Non-Linearity	0.03% F.S.
Hysteresis	0.03% F.S.
Non-repeatability	0.02% F.S.
Creep (in 1 hr)	0.03% F.S.
Zero Balance	± 1%
Temp. effect span	15 PPM/°C
Temp. effect zero	26 PPM/°C
Operating Temp. range	- 20°C ~ + 60°C
Compensated Temp. range	- 10°C ~ + 40°C
Input resistance	770 ± 15Ω
Output resistance	700 ± 5Ω
Safe overload	150% F.S.
Ultimate overload	300% F.S.
Excitation voltage	10VDC/AC
Max. Excitation voltage	30VDC/AC
Insulation resistance	≥ 2000MΩ
Environmental protection	IP67
Material	Alloy tool steel
Cable length	50FT



**DIMENSION**

Capacity (klb)	Size (inch)										
	A	B	C	D	E	F	G	H	I	J	R
10-25	7.75	1.38	5.00	6.50	1.70	1.94	0.90	0.70	1.71	1.87	0.75
40	10.25	1.93	6.39	8.50	2.12	2.44	1.12	0.81	1.97	2.34	1.00
50-75	10.25	1.93	6.39	8.50	2.64	2.94	1.37	1.06	2.43	2.84	1.00
100-125	15.24	3.15	8.94	12.75	3.43	3.86	1.80	1.62	2.91	3.73	1.50
200	19.25	4.00	11.25	15.24	5.12	5.80	1.80	1.62	3.80	5.12	2.00

Virtual Measurements & Control Inc

196 Coffey Lane, Suite 604, Santa Rosa, CA95403  
Tel: (707) 573 3111 Fax: (707) 573 3113

Dealer

Virtual Measurements & Control (Asia) Pte Ltd

5 Tanjong Penjuru Crescent S608970  
Tel: (65) 6361 0610 Fax: (65) 6763 6656



Cantilever Load Cell

# VLC-A106 / VLC-A106S

**APPLICATIONS**

Tank Weighing  
Hopper Weighing  
Platform Scales

**WIRING**

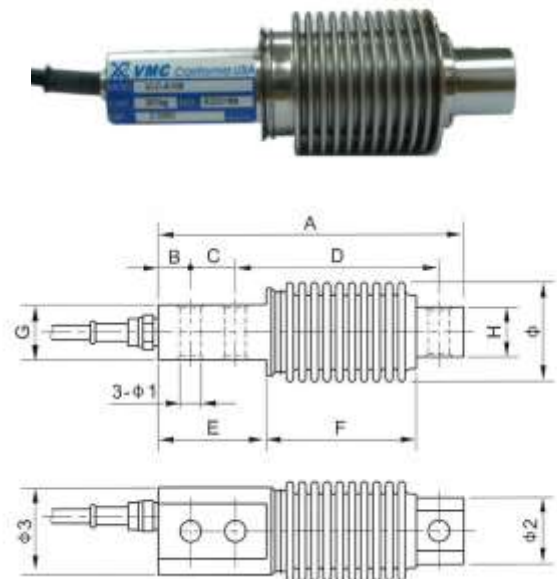
RED	Input (+)
BLACK	Input (-)
GREEN	Output (+)
WHITE	Output (-)

**CAPACITY (kg)**

10, 20, 30, 50, 100, 200, 300, 1000
-------------------------------------

**SPECIFICATIONS**

Rated Output	2mV/V ± 0.1%
Non-Linearity	0.03% F.S.
Hysteresis	0.03% F.S.
Non-repeatability	0.02% F.S.
Creep (in 1 hr)	0.03% F.S.
Zero Balance	± 1%
Temp. effect span	15 PPM/°C
Temp. effect zero	26 PPM/°C
Operating Temp. range	- 20°C ~ + 60°C
Compensated Temp. range	- 10°C ~ + 40°C
Input resistance	385 ± 15Ω / 410 ± 15Ω
Output resistance	350 ± 3Ω
Safe overload	150% F.S.
Ultimate overload	300% F.S.
Excitation voltage	10VDC/AC
Max. Excitation voltage	15VDC/AC
Insulation resistance	≥ 2000MΩ
Environmental protection	IP68
Material	Alloy tool steel (VLC-A106) Stainless steel (VLC-A106S)
Cable length	50FT



**DIMENSION**

Capacity (kg)	Size (mm)											
	A	B	C	D	E	F	G	H	Φ	Φ1	Φ2	Φ3
10-200	4.84	0.51	0.71	3.23	1.81	2.28	0.87	0.79	1.61	0.33	1.02	1.38
300-1000	8.27	0.60	1.57	5.24	3.58	2.60	1.34	0.98	2.20	0.51	1.42	1.97

**Virtual Measurements & Control Inc**

196 Coffey Lane, Suite 604, Santa Rosa, CA95403  
Tel: (707) 573 3111 Fax: (707) 573 3113

**Virtual Measurements & Control (Asia) Pte Ltd**

5 Tanjong Penjuru Crescent S608970  
Tel: (65) 6361 0610 Fax: (65) 6763 6656

Dealer





## "S" Type Load Cell

# VLC-A110 / VLC-A110S

**APPLICATIONS**

Mechanical Scale Conversion,  
Tank, Bin and Hopper Weighing,  
Truck Scale Conversion,  
Tension/Compression Measurement.

**WIRING**

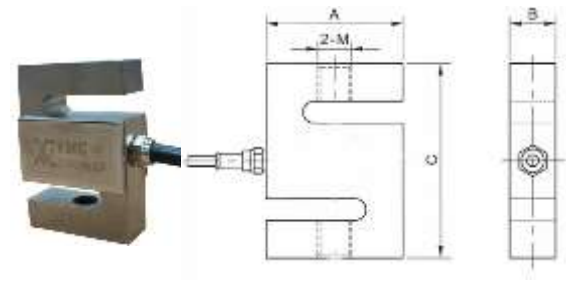
RED	Input (+)
BLACK	Input (-)
GREEN	Output (+)
WHITE	Output (-)

**CAPACITY (lb)**

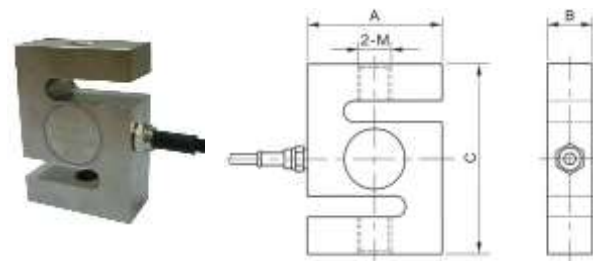
50, 100, 150, 250, 500

**SPECIFICATIONS**

Rated Output	3mV/V $\pm$ 0.2%
Non-Linearity	0.03% F.S.
Hysteresis	0.03% F.S. (VLC-A110)
	0.05% F.S. (VLC-A110S)
Non-repeatability	0.02% F.S.
Creep (in 1 hr)	0.03% F.S.
Zero Balance	$\pm$ 1%
Temp. effect span	15 PPM/ $^{\circ}$ C
Temp. effect zero	26 PPM/ $^{\circ}$ C
Operating Temp. range	- 20 $^{\circ}$ C ~ + 60 $^{\circ}$ C
Compensated Temp. range	- 10 $^{\circ}$ C ~ + 40 $^{\circ}$ C
Input resistance	385 $\pm$ 15 $\Omega$ / 410 $\pm$ 15 $\Omega$
Output resistance	350 $\pm$ 3 $\Omega$
Safe overload	150% F.S.
Ultimate overload	300% F.S.
Excitation voltage	10VDC/AC
Max. Excitation voltage	15VDC/AC
Insulation resistance	$\geq$ 2000M $\Omega$
Environmental protection	IP67
Material	Alloy tool steel (VLC-A110)
	Stainless steel (VLC-A110S)
Cable length	20FT

**CAPACITY (klb)**

1, 1.5, 2, 3, 5, 10, 15, 20

**DIMENSION**

Capacity (klb)	Size (inch)			Thread (inch)
	A	B	C	
50 - 150	2.00	0.50	2.50	1/4 - 28
200 - 1.5K	2.00	0.75	3.00	1/2 - 20
2K - 4K	2.10	1.00	3.00	1/2 - 20
5K - 10K	3.00	1.00	4.25	3/4 - 16
20K	5.00	2.00	7.00	1 1/4 - 12

**Virtual Measurements & Control Inc**

196 Coffey Lane, Suite 604, Santa Rosa, CA95403  
Tel: (707) 573 3111 Fax: (707) 573 3113

Dealer

**Virtual Measurements & Control (Asia) Pte Ltd**

5 Tanjong Penjuru Crescent S608970  
Tel: (65) 6361 0610 Fax: (65) 6763 6656



Compression Load Cell

# VLC-B120 / VLC-B120S

### APPLICATIONS

Tank weighing,  
Hopper weighing,  
Truck scale

### WIRING

RED	Input (+)
BLACK	Input (-)
GREEN	Output (+)
WHITE	Output (-)

### CAPACITY (klb)

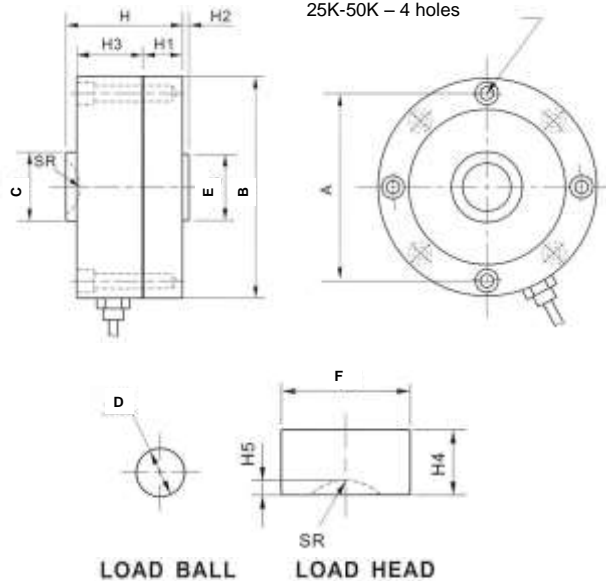
5, 10, 15, 25, 50, 100, 150, 200

### SPECIFICATIONS

Rated Output	4mV/V ± 0.25%
Non-Linearity	0.03% F.S.
Hysteresis	0.03% F.S.
Non-repeatability	0.02% F.S.
Creep (in 1 hr)	0.03% F.S.
Zero Balance	± 1%
Temp. effect span	15 PPM/°C
Temp. effect zero	26 PPM/°C
Operating Temp. range	- 20°C ~ + 60°C
Compensated Temp. range	- 10°C ~ + 40°C
Input resistance	385 ± 15Ω / 410 ± 15Ω
Output resistance	350 ± 3Ω
Safe overload	150% F.S.
Ultimate overload	300% F.S.
Excitation voltage	10VDC/AC
Max. Excitation voltage	15VDC/AC
Insulation resistance	≥ 2000MΩ
Environmental protection	IP67 (VLC-B120) IP68 (VLC-B120S)
Material	Alloy tool steel (VLC-B120) Stainless steel (VLC-B120S)
Cable length	50FT



200K – 16 holes  
5K-10K, 100K – 8 holes  
25K-50K – 4 holes



### DIMENSION

Capacity (klb)	Size (inch)												
	A	B	C	D	E	F	H	H1	H2	H3	H4	H5	SR
5-15	3.50	4.12	1.26	0.87	1.25	1.61	2.12	0.75	0.04	1.25	0.55	0.20	0.63
25-50	4.00	4.75	1.53	1.50	1.25	1.69	3.06	0.94	0.04	1.62	0.75	0.31	0.87
100	4.60	5.51	1.98	1.63	1.25	2.32	3.39	1.14	0.04	2.00	1.26	0.31	0.98
150-200	6.38	7.87	2.99	3.00	2.00	3.86	4.92	1.65	0.04	2.76	2.17	0.51	1.77

Virtual Measurements & Control Inc

196 Coffey Lane, Suite 604, Santa Rosa, CA95403  
Tel: (707) 573 3111 Fax: (707) 573 3113

Dealer

Virtual Measurements & Control (Asia) Pte Ltd

5 Tanjong Penjuru Crescent S608970  
Tel: (65) 6361 0610 Fax: (65) 6763 6656



Compression Double-Ended Load Cell

# VLC-A121

**APPLICATIONS**

Tank Weighing,  
Truck Scale

**WIRING**

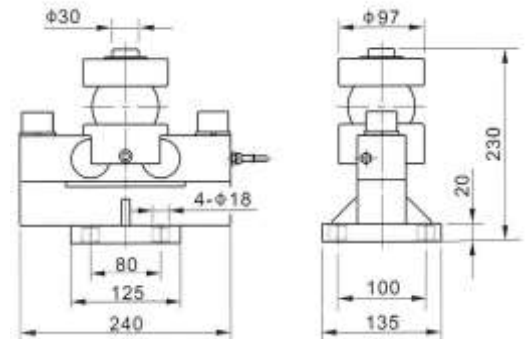
RED	Input (+)
BLACK	Input (-)
GREEN	Output (+)
WHITE	Output (-)

**CAPACITY (T)**

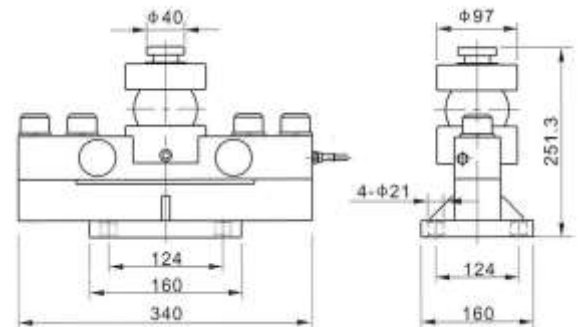
10, 25, 30, 50



Capacity: 10T, 25T, 30T



Capacity: 50T



SPECIFICATIONS	
Rated Output	2mV/V ± 0.1%
Non-Linearity	0.03% F.S.
Hysteresis	0.03% F.S.
Non-repeatability	0.02% F.S.
Creep (in 1 hr)	0.03% F.S.
Zero Balance	± 1%
Temp. effect span	15 PPM/°C
Temp. effect zero	26 PPM/°C
Operating Temp. range	- 20°C ~ + 60°C
Compensated Temp. range	- 10°C ~ + 40°C
Input resistance	770 ± 40Ω
Output resistance	700 ± 5Ω
Safe overload	150% F.S.
Ultimate overload	300% F.S.
Excitation voltage	10VDC/AC
Max. Excitation voltage	30VDC/AC
Insulation resistance	≥ 5000MΩ
Environmental protection	IP67
Material	Alloy tool steel
Cable length	50FT

**Virtual Measurements & Control Inc**

196 Coffey Lane, Suite 604, Santa Rosa, CA95403  
Tel: (707) 573 3111 Fax: (707) 573 3113

**Virtual Measurements & Control (Asia) Pte Ltd**

5 Tanjong Penjuru Crescent S608970  
Tel: (65) 6361 0610 Fax: (65) 6763 6656

Dealer



Compression Load Cell

# VLC-A123

**APPLICATIONS**

Truck scale

**WIRING**

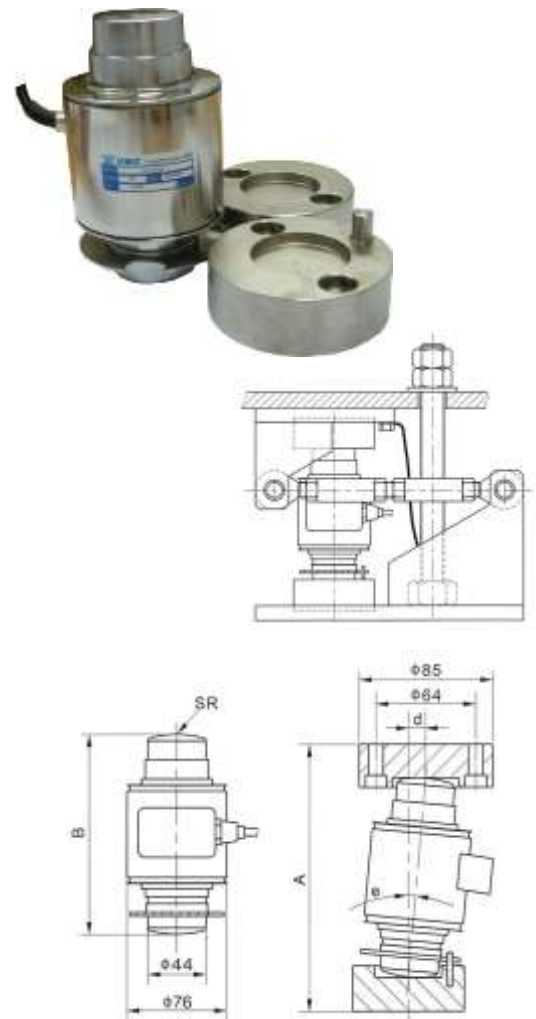
RED	Input (+)
BLACK	Input (-)
GREEN	Output (+)
WHITE	Output (-)

**CAPACITY (T)**

20, 30, 40, 50
----------------

**SPECIFICATIONS**

Rated Output	2mV/V ± 0.1%
Non-Linearity	0.03% F.S.
Hysteresis	0.03% F.S.
Non-repeatability	0.02% F.S.
Creep (in 1 hr)	0.03% F.S.
Zero Balance	± 1%
Temp. effect span	15 PPM/°C
Temp. effect zero	26 PPM/°C
Operating Temp. range	- 20°C ~ + 60°C
Compensated Temp. range	- 10°C ~ + 40°C
Input resistance	700 ± 15Ω
Output resistance	700 ± 5Ω
Safe overload	150% F.S.
Ultimate overload	300% F.S.
Excitation voltage	10VDC/AC
Max. Excitation voltage	30VDC/AC
Insulation resistance	≥ 2000MΩ
Environmental protection	IP68
Material (Outer S/S only)	Alloy tool steel
Cable length	50FT



**DIMENSION**

Capacity (T)	Size (mm)				
	A	B	d(max)	e(max)	SR
20	200.0	150.0	13.0	5.0°	130.0
30	200.0	150.0	13.0	5.0°	160.0
40	200.0	150.0	13.0	5.0°	180.0
50	260.0	210.0	11.0	5.0°	220.0

**Virtual Measurements & Control Inc**

196 Coffey Lane, Suite 604, Santa Rosa, CA95403  
Tel: (707) 573 3111 Fax: (707) 573 3113

**Virtual Measurements & Control (Asia) Pte Ltd**

5 Tanjong Penjuru Crescent S608970  
Tel: (65) 6361 0610 Fax: (65) 6763 6656

Dealer



Compression Load Cell

# VLC-A125

**APPLICATIONS**

Truck Scale

**WIRING**

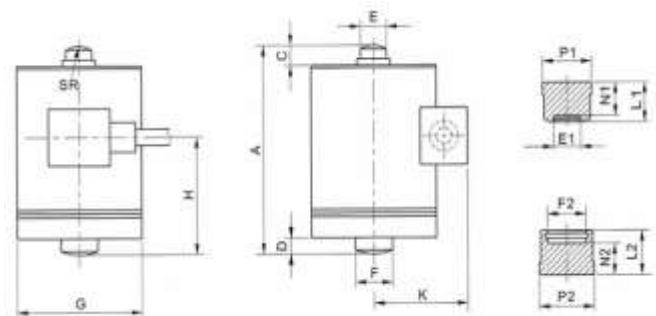
RED	Input (+)
BLACK	Input (-)
GREEN	Output (+)
WHITE	Output (-)
BLUE	Sense (+)
YELLOW	Sense (-)

**CAPACITY (T)**

12, 24, 36
------------



SPECIFICATIONS	
Rated Output	1.8mV/V ± 0.1%
Non-Linearity	0.03% F.S.
Hysteresis	0.03% F.S.
Non-repeatability	0.02% F.S.
Creep (in 1 hr)	0.03% F.S.
Zero Balance	± 1%
Temp. effect span	15 PPM/°C
Temp. effect zero	26 PPM/°C
Operating Temp. range	- 20°C ~ + 60°C
Compensated Temp. range	- 10°C ~ + 40°C
Input resistance	385 ± 5Ω
Output resistance	350 ± 5Ω
Safe overload	150% F.S.
Ultimate overload	300% F.S.
Excitation voltage	10VDC/AC
Max. Excitation voltage	20VDC/AC
Insulation resistance	≥ 2000MΩ
Environmental protection	IP68
Material (Outer S/S only)	Alloy tool steel
Cable length	50FT



DIMENSION																	
Capacity (T)	Size (mm)																
	A	C	D	E	F	G	H	E1	F2	K	SR	P1	P2	L1	L2	N1	N2
12	215.0	11.0	14.0	28.0	40.0	135.0	104.5	30.5	42.5	94.5	120.0	58.0	58.0	38.5	38.5	29.5	29.5
24	247.0	12.0	20.0	33.0	47.0	135.0	104.5	35.5	50.5	94.5	150.0	74.0	74.0	51.5	58.5	41.5	41.5
36	247.0	12.0	20.0	40.0	47.0	135.0	104.5	42.5	50.5	94.5	350.0	80.0	74.0	63.5	58.5	53.5	41.5

**Virtual Measurements & Control Inc**

196 Coffey Lane, Suite 604, Santa Rosa, CA95403  
Tel: (707) 573 3111 Fax: (707) 573 3113

Dealer

**Virtual Measurements & Control (Asia) Pte Ltd**

5 Tanjong Penjuru Crescent S608970  
Tel: (65) 6361 0610 Fax: (65) 6763 6656



Compression Load Cell

# VLC-A127

**APPLICATIONS**

Truck Scale

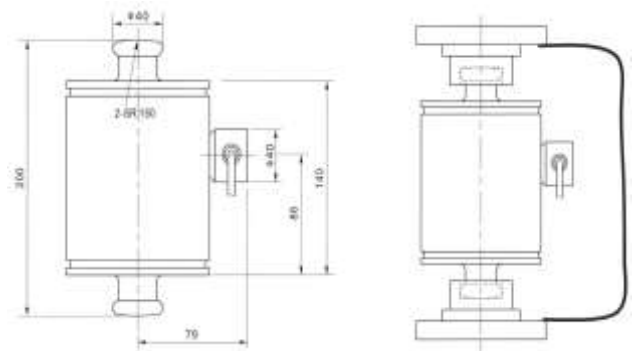
**WIRING**

RED	Input (+)
BLACK	Input (-)
GREEN	Output (+)
WHITE	Output (-)
BLUE	Sense (+)
YELLOW	Sense (-)

**CAPACITY (T)**

25, 30
--------

SPECIFICATIONS	
Rated Output	2mV/V ± 0.1%
Non-Linearity	0.03% F.S.
Hysteresis	0.03% F.S.
Non-repeatability	0.02% F.S.
Creep (in 1 hr)	0.03% F.S.
Zero Balance	± 1%
Temp. effect span	15 PPM/°C
Temp. effect zero	26 PPM/°C
Operating Temp. range	- 20°C ~ + 60°C
Compensated Temp. range	- 10°C ~ + 40°C
Input resistance	750 ± 15Ω
Output resistance	700 ± 5Ω
Safe overload	150% F.S.
Ultimate overload	300% F.S.
Excitation voltage	10VDC/AC
Max. Excitation voltage	30VDC/AC
Insulation resistance	≥ 2000MΩ
Environmental protection	IP68
Material (Outer S/S only)	Alloy tool steel
Cable length	50FT



**Virtual Measurements & Control Inc**

196 Coffey Lane, Suite 604, Santa Rosa, CA95403  
Tel: (707) 573 3111 Fax: (707) 573 3113

**Virtual Measurements & Control (Asia) Pte Ltd**

5 Tanjong Penjuru Crescent S608970  
Tel: (65) 6361 0610 Fax: (65) 6763 6656

Dealer



Single Point Load Cell

# VLC-A131

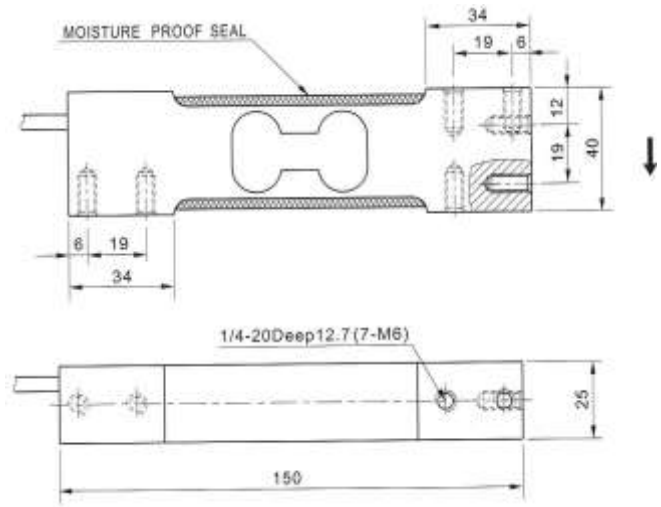
**APPLICATIONS**

- Single Point Platform Scale
- Belt Conveyor
- Bench Scales
- Check Weighing
- Hopper Scales

WIRING	
RED	Input (+)
BLACK	Input (-)
GREEN	Output (+)
WHITE	Output (-)

CAPACITY (lb)
5, 10, 20, 30, 50, 100, 200

SPECIFICATIONS	
Rated Output	2mV/V ± 10%
Non-Linearity	0.03% F.S.
Hysteresis	0.03% F.S.
Non-repeatability	0.02% F.S.
Creep (in 1 hr)	0.03% F.S.
Zero Balance	± 1%
Temp. effect span	15 PPM/°C
Temp. effect zero	26 PPM/°C
Operating Temp. range	- 20°C ~ + 60°C
Compensated Temp. range	- 10°C ~ + 40°C
Input resistance	385 ± 15Ω
Output resistance	350 ± 3Ω
Safe overload	150% F.S.
Ultimate overload	300% F.S.
Excitation voltage	10VDC/AC
Max. Excitation voltage	15VDC/AC
Insulation resistance	≥ 2000MΩ
Environmental protection	IP67
Material	Aluminum
Cable length	5FT



RECOMMENDED MAX. PLATFORM SIZE
400mm x 400mm (15.75" x 15.75")

**Virtual Measurements & Control Inc**

196 Coffey Lane, Suite 604, Santa Rosa, CA95403  
 Tel: (707) 573 3111 Fax: (707) 573 3113

**Virtual Measurements & Control (Asia) Pte Ltd**

5 Tanjong Penjuru Crescent S608970  
 Tel: (65) 6361 0610 Fax: (65) 6763 6656

Dealer



Single Point Load Cell

# VLC-A132

**APPLICATIONS**

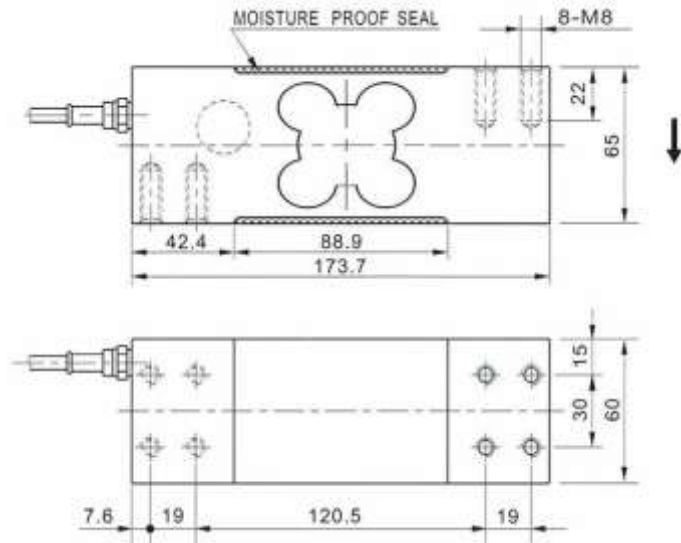
- Single Point Platform Scale
- Belt Conveyor
- Bench Scales
- Check Weighing
- Hopper Scales

WIRING	
RED	Input (+)
BLACK	Input (-)
GREEN	Output (+)
WHITE	

CAPACITY (kg)
60, 100, 250, 500, 635



SPECIFICATIONS	
Rated Output	2mV/V ± 10%
Non-Linearity	0.03% F.S.
Hysteresis	0.03% F.S.
Non-repeatability	0.02% F.S.
Creep (in 1 hr)	0.03% F.S.
Zero Balance	± 1%
Temp. effect span	15 PPM/°C
Temp. effect zero	26 PPM/°C
Operating Temp. range	- 20°C ~ + 60°C
Compensated Temp. range	- 10°C ~ + 40°C
Input resistance	385 ± 15Ω
Output resistance	350 ± 3Ω
Safe overload	150% F.S.
Ultimate overload	300% F.S.
Excitation voltage	10VDC/AC
Max. Excitation voltage	15VDC/AC
Insulation resistance	≥ 2000MΩ
Environmental protection	IP67
Material	Aluminum
Cable length	9FT



RECOMMENDED MAX. PLATFORM SIZE
600mm x 600mm

**Virtual Measurements & Control Inc**

196 Coffey Lane, Suite 604, Santa Rosa, CA95403  
Tel: (707) 573 3111 Fax: (707) 573 3113

**Virtual Measurements & Control (Asia) Pte Ltd**

5 Tanjong Penjuru Crescent S608970  
Tel: (65) 6361 0610 Fax: (65) 6763 6656

Dealer





Single Point Load Cell

# VLC-A133

**APPLICATIONS**

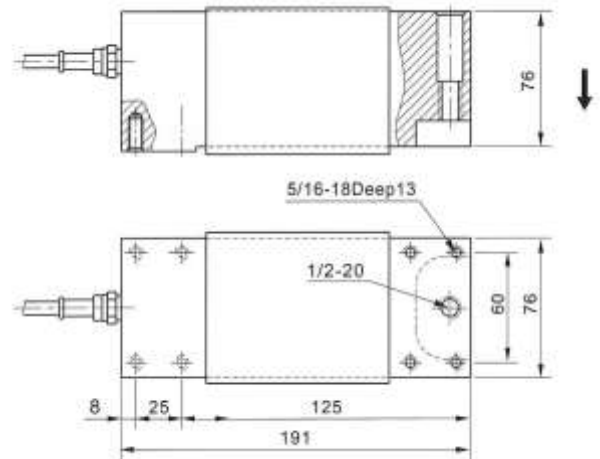
- Single Point Platform Scale
- Belt Conveyor
- Bench Scales
- Check Weighing
- Hopper Scales

WIRING	
RED	Input (+)
BLACK	Input (-)
GREEN	
WHITE	

CAPACITY (kg)
100, 250, 500, 635, 1000



SPECIFICATIONS	
Rated Output	2mV/V ± 10%
Non-Linearity	0.03% F.S.
Hysteresis	0.03% F.S.
Non-repeatability	0.02% F.S.
Creep (in 1 hr)	0.03% F.S.
Zero Balance	± 1%
Temp. effect span	15 PPM/°C
Temp. effect zero	26 PPM/°C
Operating Temp. range	- 20°C ~ + 60°C
Compensated Temp. range	- 10°C ~ + 40°C
Input resistance	385 ± 15Ω
Output resistance	350 ± 3Ω
Safe overload	150% F.S.
Ultimate overload	300% F.S.
Excitation voltage	10VDC/AC
Max. Excitation voltage	15VDC/AC
Insulation resistance	≥ 2000MΩ
Environmental protection	IP67
Material (Outer S/S only)	Aluminum
Cable length	8FT



RECOMMENDED MAX. PLATFORM SIZE
600mm x 600mm

**Virtual Measurements & Control Inc**

196 Coffey Lane, Suite 604, Santa Rosa, CA95403  
 Tel: (707) 573 3111 Fax: (707) 573 3113

**Virtual Measurements & Control (Asia) Pte Ltd**

5 Tanjong Penjuru Crescent S608970  
 Tel: (65) 6361 0610 Fax: (65) 6763 6656

Dealer



Single Point Load Cell

# VLC-A134

### APPLICATIONS

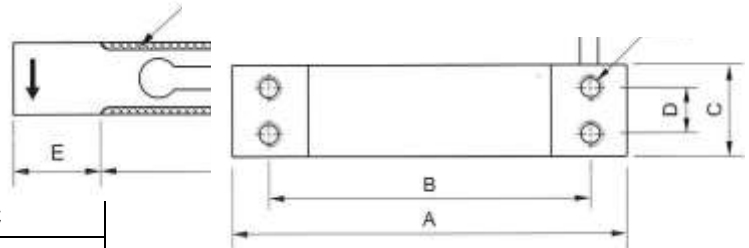
- Single Point Platform Scale
- Belt Conveyor
- Bench Scales
- Check Weighing
- Hopper Scales

WIRING	
RED	Input (+)
BLACK	Input (-)
GREEN	Output (+)
WHITE	Output (-)

CAPACITY (kg)
3, 6, 10, 20, 25, 35, 50, 100, 200, 250



SPECIFICATIONS	
Rated Output	2mV/V ± 10%
Non-Linearity	0.03% F.S.
Hysteresis	0.03% F.S.
Non-repeatability	0.02% F.S.
Creep (in 1 hr)	0.03% F.S.
Zero Balance	± 1%
Temp. effect span	15 PPM/°C
Temp. effect zero	26 PPM/°C
Operating Temp. range	- 20°C ~ + 60°C
Compensated Temp. range	- 10°C ~ + 40°C
Input resistance	385 ± 15Ω
Output resistance	350 ± 3Ω
Safe overload	150% F.S.
Ultimate overload	300% F.S.
Excitation voltage	10VDC/AC
Max. Excitation voltage	15VDC/AC
Insulation resistance	≥ 2000MΩ
Environmental protection	IP67
Material	Aluminum
Cable length	15FT



**RECOMMENDED MAX. PLATFORM SIZE**  
350mm x 350mm

Capacity (kg)	DIMENSION						
	Size (mm)						
	A	B	C	D	E	F	M
1-3	70.0	58.0	15.0	7.0	12.0	46.0	M3
6-20	130.0	106.0	30.0	15.0	25.0	80.0	M6
25-35	130.0	106.0	40.0	15.0	25.0	80.0	M6
50-250	130.0	106.0	50.0	25.0	25.0	80.0	M8

**Virtual Measurements & Control Inc**

196 Coffey Lane, Suite 604, Santa Rosa, CA95403  
Tel: (707) 573 3111 Fax: (707) 573 3113

Dealer

**Virtual Measurements & Control (Asia) Pte Ltd**

5 Tanjong Penjuru Crescent S608970  
Tel: (65) 6361 0610 Fax: (65) 6763 6656



Stainless Steel Single Point Load Cell

# VLC-A137S

### APPLICATIONS

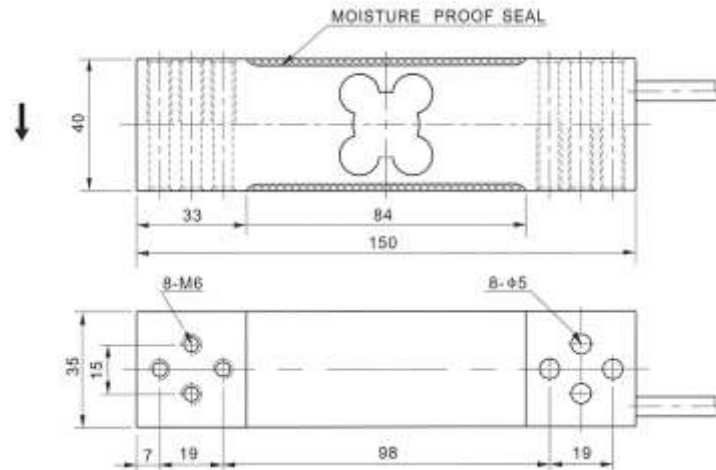
- Single Point Platform Scale
- Belt Conveyor
- Bench Scales
- Check Weighing
- Hopper Scales

WIRING	
RED	Input (+)
BLACK	Input (-)
GREEN	Output (+)
WHITE	Output (-)

CAPACITY (kg)
50, 60, 80, 100, 150, 200, 250, 300



SPECIFICATIONS	
Rated Output	2mV/V ± 0.1%
Non-Linearity	0.03% F.S.
Hysteresis	0.03% F.S.
Non-repeatability	0.02% F.S.
Creep (in 1 hr)	0.03% F.S.
Zero Balance	± 1%
Temp. effect span	15 PPM/°C
Temp. effect zero	26 PPM/°C
Operating Temp. range	- 20°C ~ + 60°C
Compensated Temp. range	- 10°C ~ + 40°C
Input resistance	410 ± 15Ω
Output resistance	350 ± 3Ω
Safe overload	150% F.S.
Ultimate overload	300% F.S.
Excitation voltage	10VDC/AC
Max. Excitation voltage	15VDC/AC
Insulation resistance	≥ 2000MΩ
Environmental protection	IP67
Material	Stainless Steel
Cable length	20FT



RECOMMENDED MAX. PLATFORM SIZE
450mm x 450mm

### Virtual Measurements & Control Inc

196 Coffey Lane, Suite 604, Santa Rosa, CA95403  
Tel: (707) 573 3111 Fax: (707) 573 3113

### Virtual Measurements & Control (Asia) Pte Ltd

5 Tanjong Penjuru Crescent S608970  
Tel: (65) 6361 0610 Fax: (65) 6763 6656

Dealer



Single Point Load Cell

# VLC-A138

**APPLICATIONS**

- Single Point Platform Scale
- Belt Conveyor
- Bench Scales
- Check Weighing
- Hopper Scales

**WIRING**

RED	Input (+)
BLACK	Input (-)
GREEN	Output (+)
WHITE	Output (-)

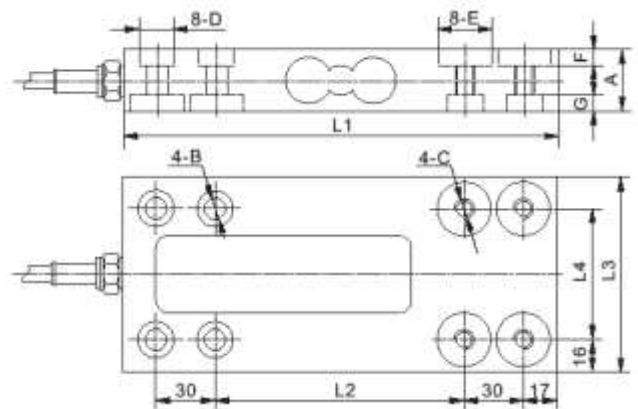
**CAPACITY (kg)**

50, 100, 150, 300, 500, 1000, 1200
------------------------------------



**SPECIFICATIONS**

Rated Output	2mV/V ± 10%
Non-Linearity	0.03% F.S.
Hysteresis	0.03% F.S.
Non-repeatability	0.02% F.S.
Creep (in 1 hr)	0.03% F.S.
Zero Balance	± 1%
Effect span	15 PPM/°C
Temp. effect zero	26 PPM/°C
Operating Temp. range	- 20°C ~ + 60°C
Compensated Temp. range	- 10°C ~ + 40°C
Input resistance	410 ± 15Ω
Output resistance	350 ± 3Ω
Safe overload	150% F.S.
Ultimate overload	300% F.S.
Excitation voltage	10VDC/AC
Max. Excitation voltage	15VDC/AC
Insulation resistance	≥ 2000MΩ
Environmental protection	IP67
Material	Aluminum
Cable length	20FT



**RECOMMENDED MAX. PLATFORM SIZE**

600mm x 800mm (50~500kg)
1000mm x 1200mm (1000~1200kg)

**DIMENSION**

Capacity (kg)	Size (mm)										
	A	B	C	D	E	F	G	L1	L2	L3	L4
50-100	25.0	9.0	M8	18.0	18.0	8.0	8.0	200.0	110.0	80.0	56.0
150	27.0	11.0	M10	18.0	27.0	8.0	8.0	220.0	126.0	98.0	66.0
300	31.0	11.0	M10	18.0	27.0	8.0	8.0	220.0	126.0	98.0	66.0
500	36.0	11.0	M10	18.0	27.0	8.0	8.0	220.0	126.0	98.0	66.0
1000-1200	47.0	13.0	M12	22.0	27.0	10.0	10.0	220.0	126.0	98.0	66.0

Virtual Measurements & Control Inc

196 Coffey Lane, Suite 604, Santa Rosa, CA95403  
Tel: (707) 573 3111 Fax: (707) 573 3113

Dealer

Virtual Measurements & Control (Asia) Pte Ltd

5 Tanjong Penjuru Crescent S608970  
Tel: (65) 6361 0610 Fax: (65) 6763 6656