



**CHARLES
THOMPSON**
Global Engineering Experts



SPECIALISTS IN FILTRATION AND DRYING

LABORATORY & PILOT PLANT SCALE EQUIPMENT

SPECIALISTS IN FILTRATION AND DRYING
LABORATORY & PILOT PLANT
SCALE EQUIPMENT

LF55 POCKET FILTER



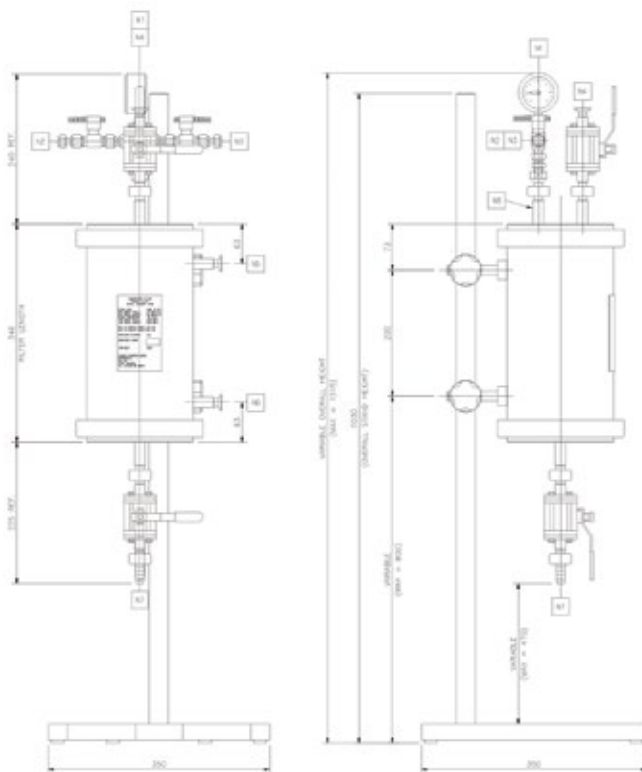
LF55 Pocket Filter (0.002m²)

Capacity = 1 Litre

Material of Construction = Alloy C22

Delivery = 10 - 12 weeks

LF100 LABORATORY FILTER



LF100 Laboratory Filter (0.008m²)

Capacity = 2.4 Litre

Material of Construction = Alloy C22 / St.Stl.316L

Delivery = 10 - 12 weeks

SPECIALISTS IN FILTRATION AND DRYING
LABORATORY & PILOT PLANT
SCALE EQUIPMENT

LF150 LABORATORY FILTER



LF150 Laboratory Filter (0.02m2)

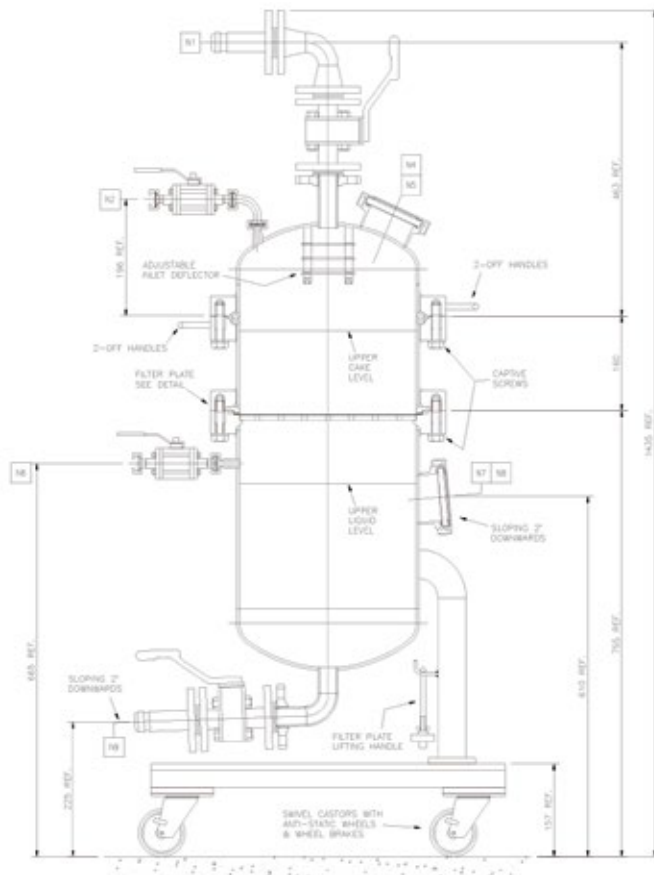
Capacity = 4.3 Litre

Material of Construction = Alloy C22 / St.Stl.316L

Delivery = 10 - 12 weeks



LF300 LABORATORY FILTER



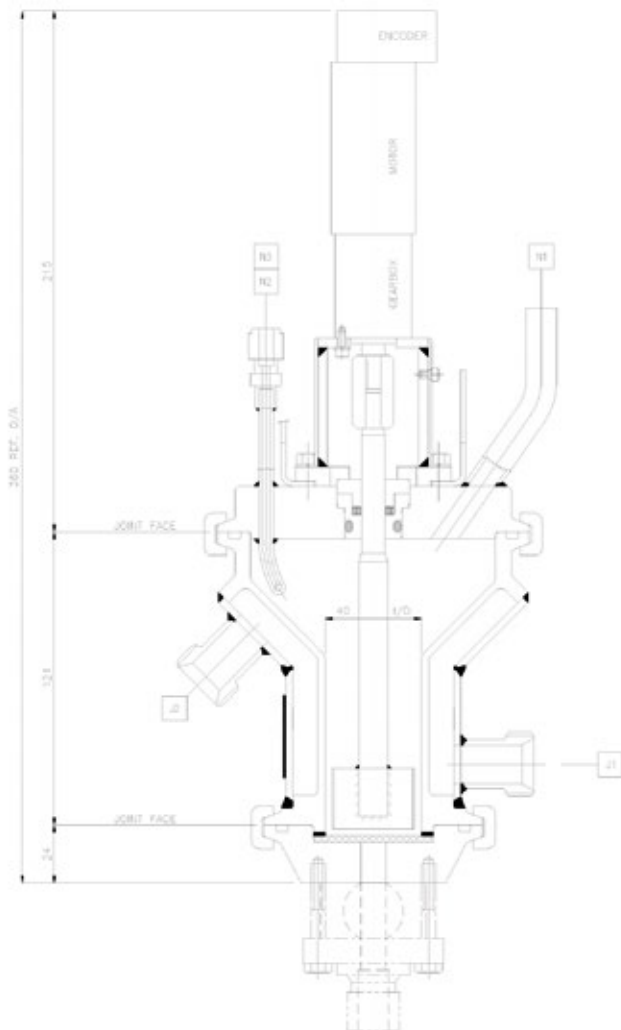
LF300 Laboratory Filter (0.07m²)

Capacity = 15 Litre Slurry / 20 Litre Filtrate

Material of Construction = Alloy C22 / St.Stl.316L

Delivery = 12 - 14 weeks

CT40 AGITATED LABORATORY FILTER



CT40 Agitated Laboratory Filter (0.00125m²)

Capacity = 250 ml

Material of Construction = Alloy C22

Delivery = 10 - 12 weeks

SPECIALISTS IN FILTRATION AND DRYING
LABORATORY & PILOT PLANT
SCALE EQUIPMENT

CT150 AGITATED LABORATORY / PILOT PLANT FILTER



CT80 Agitated Laboratory / Pilot Plant Filter (0.005m²)

Capacity = 2 Litres

Material of Construction = Alloy C22 / St.Stl.316L

Delivery = 12 - 14 weeks

SPECIALISTS IN FILTRATION AND DRYING
LABORATORY & PILOT PLANT
SCALE EQUIPMENT

CT200 AGITATED LABORATORY / PILOT PLANT FILTER



CT150 Agitated Laboratory / Pilot Plant Filter (0.02m²)

Capacity = 5 Litres

Material of Construction = Alloy C22 / St.Stl.316L

Delivery = 14 - 16 weeks

SPECIALISTS IN FILTRATION AND DRYING
LABORATORY & PILOT PLANT
SCALE EQUIPMENT

CT200 AGITATED LABORATORY / PILOT PLANT FILTER



CT200 Agitated Laboratory / Pilot Plant Filter (0.035m²)

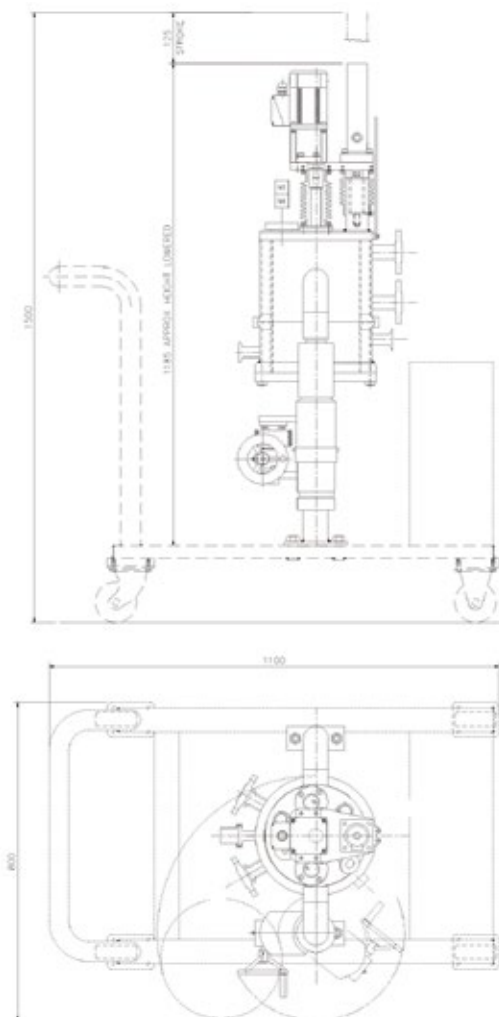
Capacity = 20 Litres

Material of Construction = Alloy C22 / St.Stl.316L

Delivery = 14 - 16 weeks

SPECIALISTS IN FILTRATION AND DRYING
LABORATORY & PILOT PLANT
SCALE EQUIPMENT

CT200 AGITATED LABORATORY / PILOT PLANT FILTER



CT200 Agitated Laboratory / Pilot Plant Filter (0.035m²)

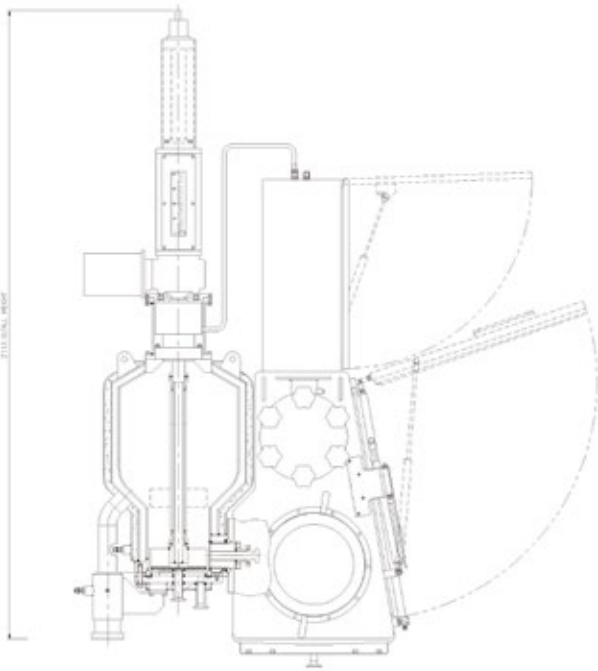
Capacity = 10 Litres Slurry / 4 Litres Cake

Material of Construction = Alloy C22 / St.Stl.316L

Delivery = 16-20 weeks

SPECIALISTS IN FILTRATION AND DRYING
LABORATORY & PILOT PLANT
SCALE EQUIPMENT

CT200 HIGH CONTAINMENT - AGITATED LABORATORY / PILOT PLANT FILTER



CT200 Agitated Laboratory / Pilot Plant Filter (0.035m²)

Capacity = 40 Litres Slurry / 7 Litres Cake

Material of Construction = Alloy C22 / St.Stl.316L

Delivery = 20 weeks

SPECIALISTS IN FILTRATION AND DRYING
LABORATORY & PILOT PLANT
SCALE EQUIPMENT

CT200 HIGH CONTAINMENT - AGITATED LABORATORY / PILOT PLANT FILTER



CT350T Tilting Agitated Pilot Plant Filter Dryer
Capacity = 50 Litres
Material of Construction = Alloy C22 / St.Stl.316L
Delivery = 20 weeks

SPECIALISTS IN FILTRATION AND DRYING
LABORATORY & PILOT PLANT
SCALE EQUIPMENT

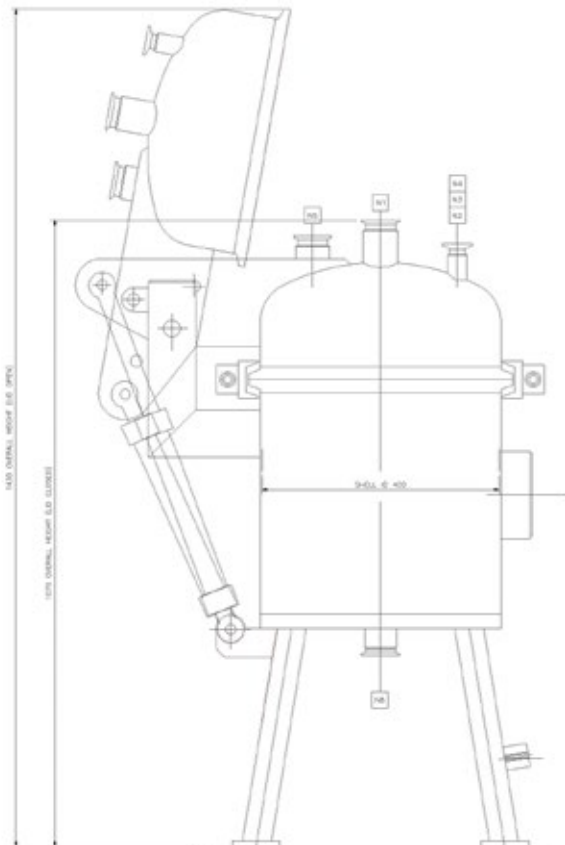
CT400T TILTING AGITATED PILOT PLANT FILTER DRYER C/W GLOVEBOX ISOLATOR/FILTER



CT400T Tilting Pilot Plant Filter Dryer (0.125m²)
Capacity = 75 Litres
Material of Construction = Alloy C22 / St.Stl.316L
Delivery = 20 weeks

SPECIALISTS IN FILTRATION AND DRYING
LABORATORY & PILOT PLANT
SCALE EQUIPMENT

NF400 LABORATORY / PILOT PLANT OYSTER FILTER



NF400 Laboratory / Pilot Plant Oyster Filter (0.125m²)

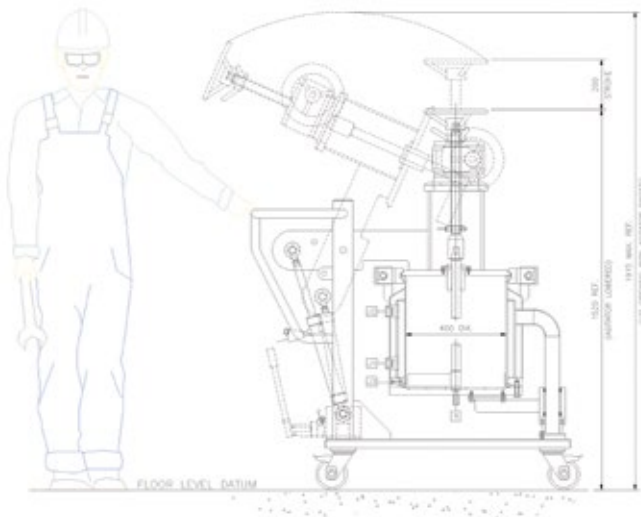
Capacity = 50 Litres

Material of Construction = Alloy C22 / St.Stl.316L

Delivery = 14 - 16 weeks

SPECIALISTS IN FILTRATION AND DRYING
LABORATORY & PILOT PLANT
SCALE EQUIPMENT

NF400 MOBILE LABORATORY / PILOT PLANT OYSTER FILTER C/W SMOOTHING ARM



NF400 Laboratory / Pilot Plant Oyster Filter (0.125m²)

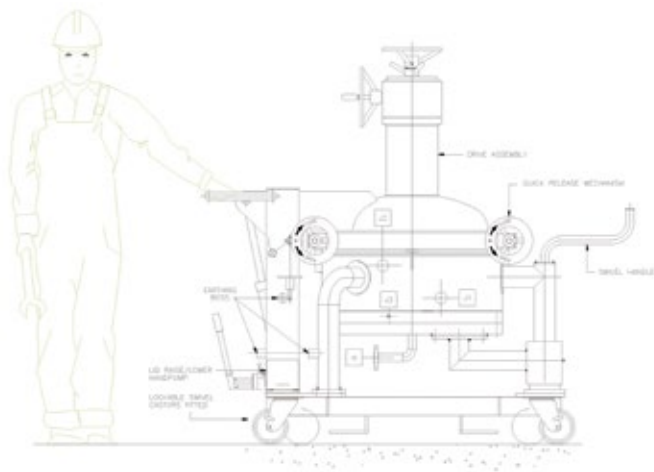
Capacity = 50 Litres

Material of Construction = Alloy C22 / St.Stl.316L

Delivery = 16 weeks

SPECIALISTS IN FILTRATION AND DRYING
LABORATORY & PILOT PLANT
SCALE EQUIPMENT

NF630 MOBILE LABORATORY / PILOT PLANT OYSTER FILTER C/W SMOOTHING ARM



NF630 Laboratory / Pilot Plant Oyster Filter (0.3m²)

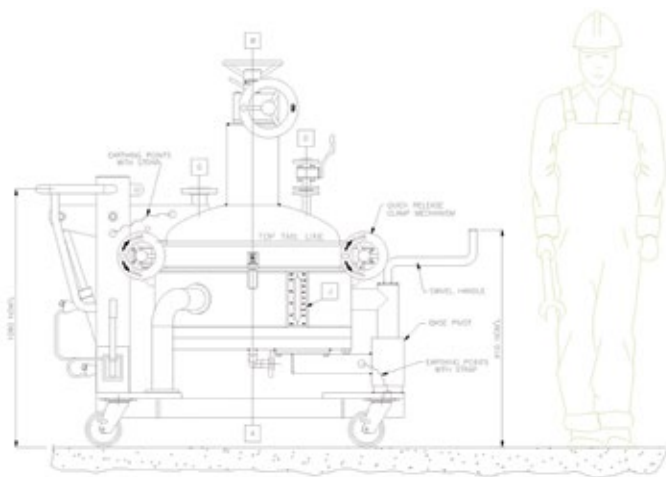
Capacity = 150 Litres

Material of Construction = Alloy C22 / St.Stl.316L

Delivery = 16 weeks

SPECIALISTS IN FILTRATION AND DRYING
LABORATORY & PILOT PLANT
SCALE EQUIPMENT

NF720 MOBILE LABORATORY / PILOT PLANT OYSTER FILTER C/W SMOOTHING ARM



NF720 Laboratory / Pilot Plant Oyster Filter (0.4m²)

Capacity = 140 Litres

Material of Construction = Alloy C22 / St.Stl.316L

Delivery = 16 weeks

SPECIALISTS IN FILTRATION AND DRYING
LABORATORY & PILOT PLANT
SCALE EQUIPMENT

NF800 MOBILE LABORATORY / PILOT PLANT OYSTER FILTER C/W SMOOTHING ARM



NF800 Laboratory / Pilot Plant Oyster Filter (0.5m²)

Capacity = 150 Litres

Material of Construction = Alloy C22 / St.Stl.316L

Delivery = 16 weeks



**CHARLES
THOMPSON**
Global Engineering Experts

TALK TO US ...

Please contact CTL if you require additional information for any of the above products

Alex Hulley: ahulley@charles-thompson.co.uk

Peter Coe: pcoe@charles-thompson.co.uk

Charles Thompson Limited

Glasshouse Road, Kilnhurst, Mexborough, United Kingdom S64 5TD

Tel. +44 [0]1709 584011 **Fax.** +44 [0]1709 587187 **Web:** www.charles-thompson.co.uk