

COMAV

your sAfeTy, our EXpertise

powder

granule

flakes

plastic

recycling

chemical

mineral

food



YOUR PARTNER IN BULK MATERIALS

COMAV srl

via Statale, 337

44047 DOSSO (FE)

ITALY

phone +39 0532 848348

e-mail info@comav-srl.com

web www.comav-srl.com

AUTOMATIC BAG EMPTYING MACHINE WITH AUTOMATIC DEPALLETIZER

TECHNICAL FEATURES

- CAPACITY: 400 to 1000 bags/h
- BAG SIZE: 25 to 50 kg
- BAG MATERIAL: all
- EASY INTEGRATION
- ATEX VERSION
- VARIOUS CONFIGURATIONS: with empty and full stackers
- SPECIAL VERSION FOR METAL BARRELS



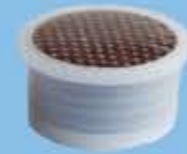
AUTOMATIC BAG EMPTYING MACHINE COMPACT VERSION

TECHNICAL FEATURES

- CAPACITY: 500 to 1200 bags/h
- BAG SIZE: 25 kg
- BAG MATERIAL: plastic, paper with inner liner
- COMPACT SIZE
- ATEX VERSION
- VARIOUS CONFIGURATIONS: with empty and full stackers

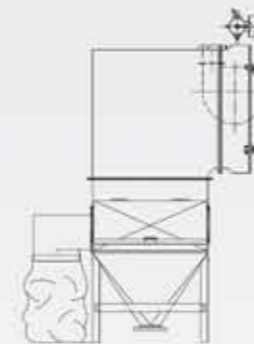


EMPTYING SOLUTION

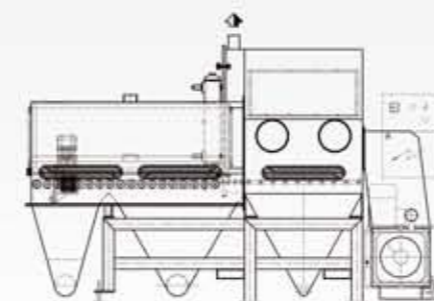


TECHNICAL FEATURES

- CAPACITY: 100 to 1000 bags/h
- BAG SIZE: 25 to 50 kg
- BAG MATERIAL: all
- FOOD GRADE VERSION
- EASY INTEGRATION
- ATEX VERSION



SV86 WITH PRESS



SV86 WITH ROLLER



TECHNICAL FEATURES

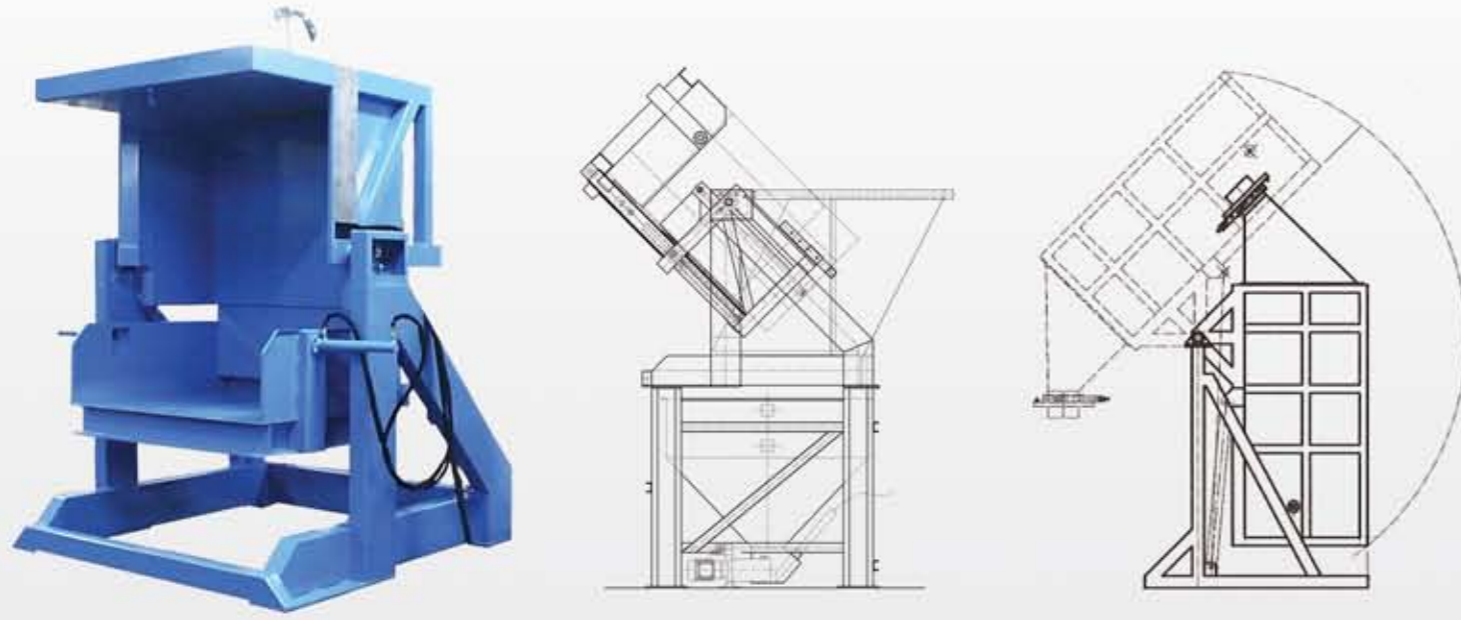
- BAG SIZE: 25 to 50 kg
- BAG MATERIAL: all
- FOOD GRADE VERSION
- EASY INTEGRATION
- ATEX VERSION
- VARIOUS CONFIGURATIONS: with empty and full stackers

AUTOMATIC BAG EMPTYING MACHINE WITH BELT CONVEYOR

MANUAL BAG EMPTYING UNIT

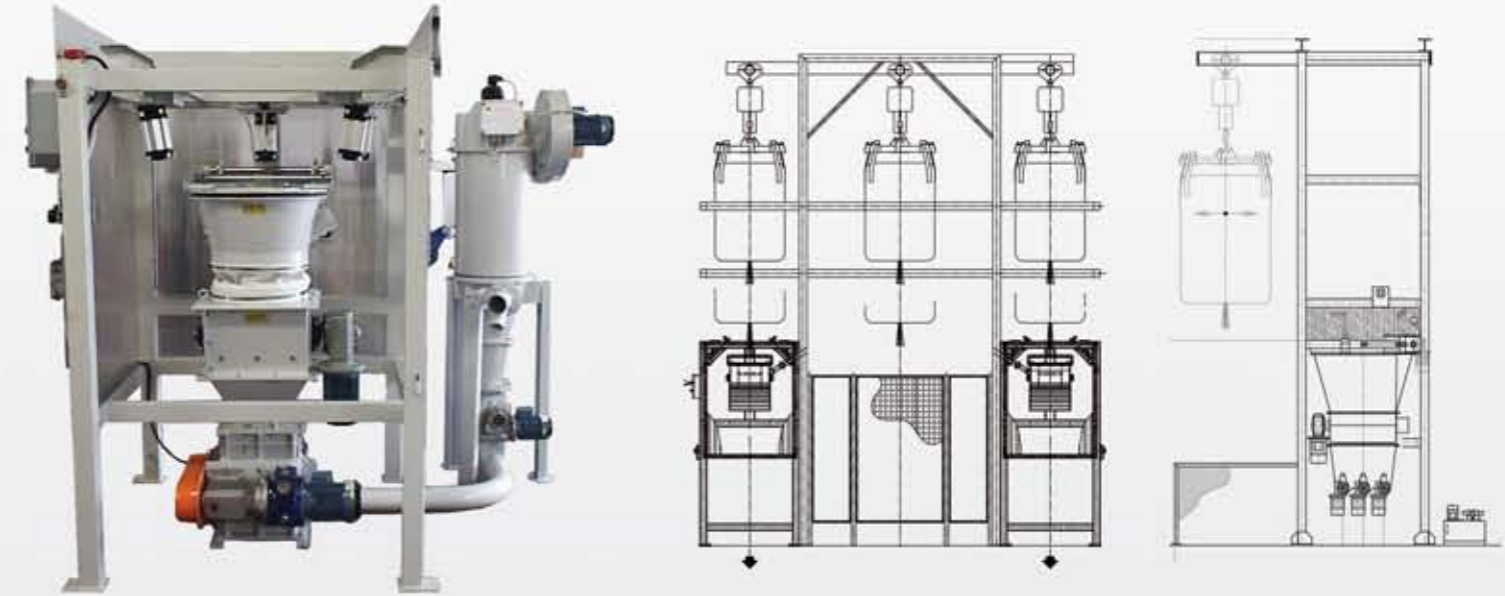
OCTA-BIN

ATEX VERSION - VARIOUS CONFIGURATIONS

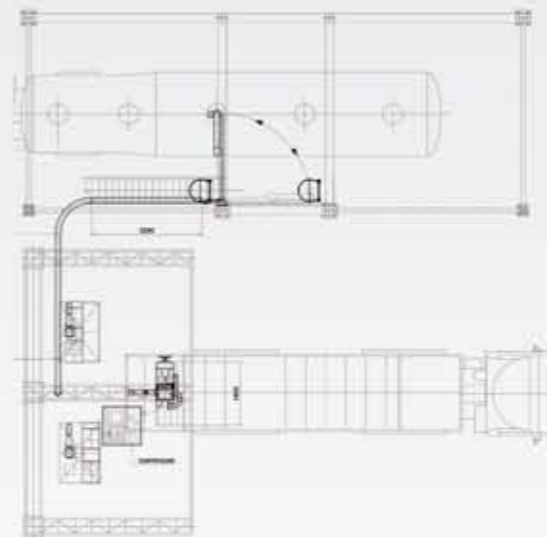


DISCHARGER BIG BAG

ATEX VERSION - VARIOUS CONFIGURATIONS



EMPTYING SOLUTION



TRAILER AND CONTAINER TILTING STATION

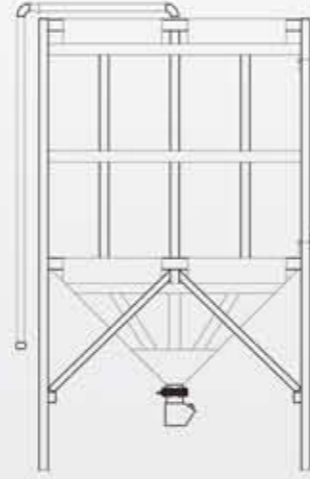
VARIOUS DIMENSIONS

UNLOADING APPLICATIONS

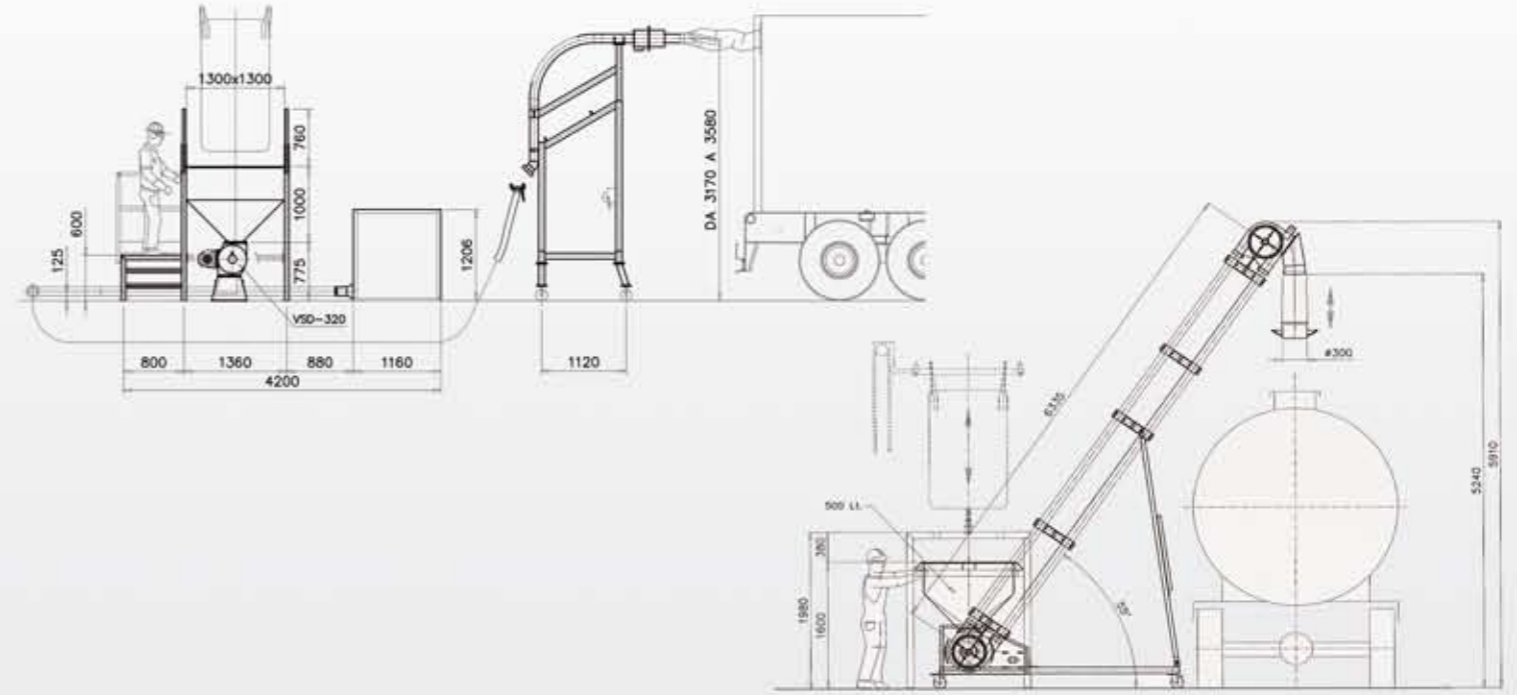
TREVIRA SILO

TECHNICAL FEATURES

- CAPACITY: up to 60m³
- MODULAR FRAME
- ATEX VERSION
- INSTALLATION: indoor&outdoor
- TISSUE: TREVIRA HIGH TOUGHNESS
- ACCESSORIES



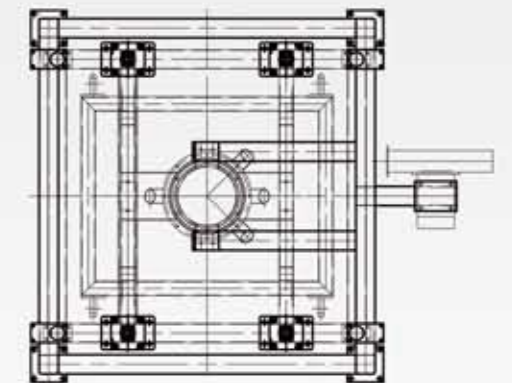
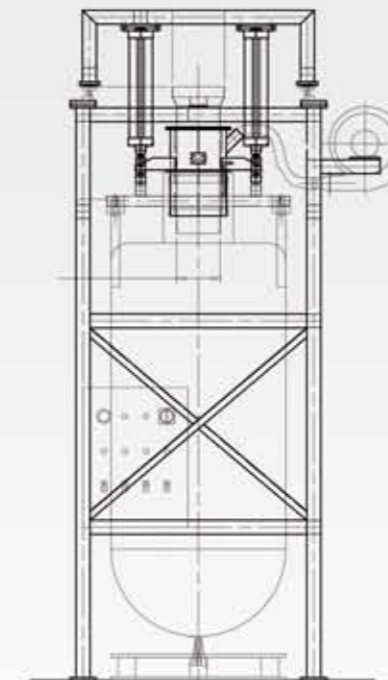
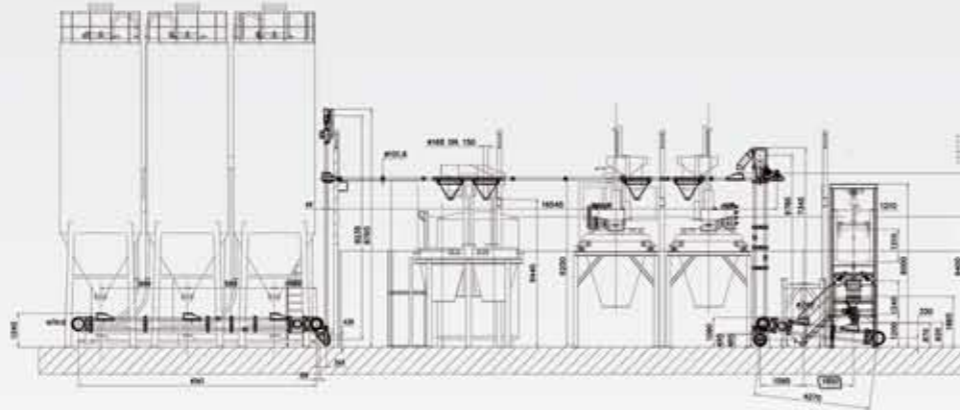
FILLING ENGINEERING SOLUTIONS



STORING SOLUTION

MECHANICAL TRANSPORTATION

FILLING SOLUTIONS



AEROMECHANICAL CONVEYOR

SIZE: 76,100 and 150DN - ATEX VERSION

FIBC

ATEX VERSION - VARIOUS CONFIGURATIONS

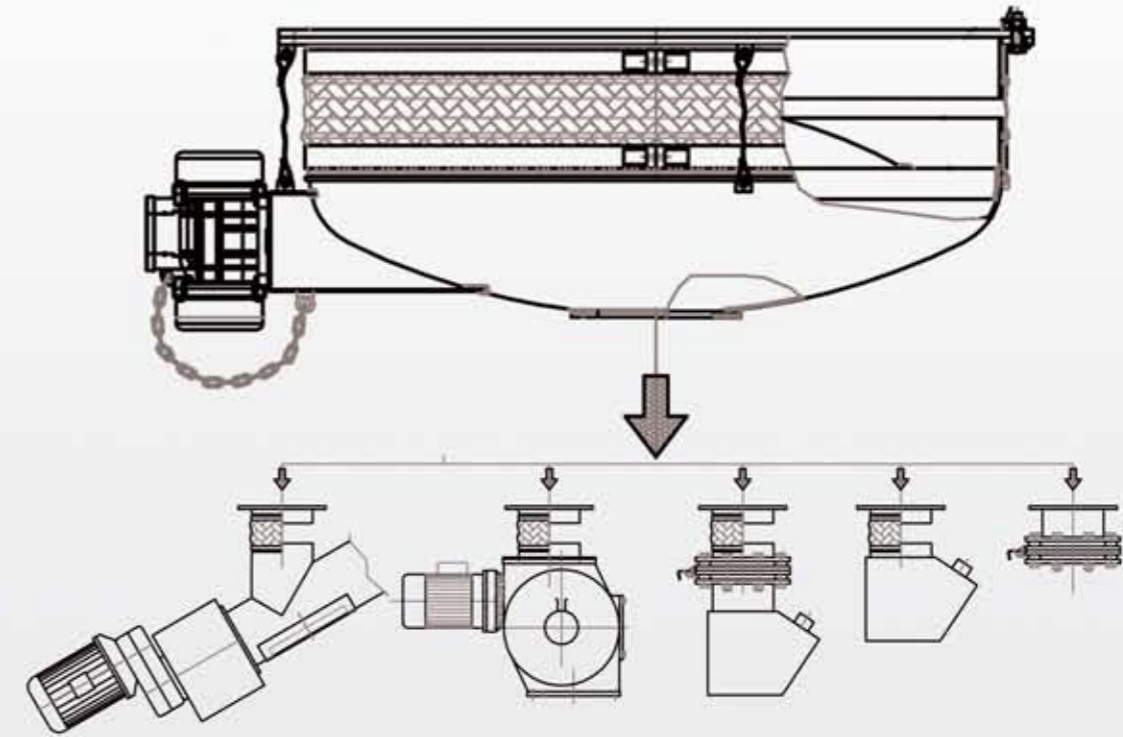
SIFTER

ATEX VERSION - VARIOUS CONFIGURATIONS



BIN ACTIVATOR

ATEX VERSION - VARIOUS DIMENSIONS



BULK HANDLING EQUIPMENT



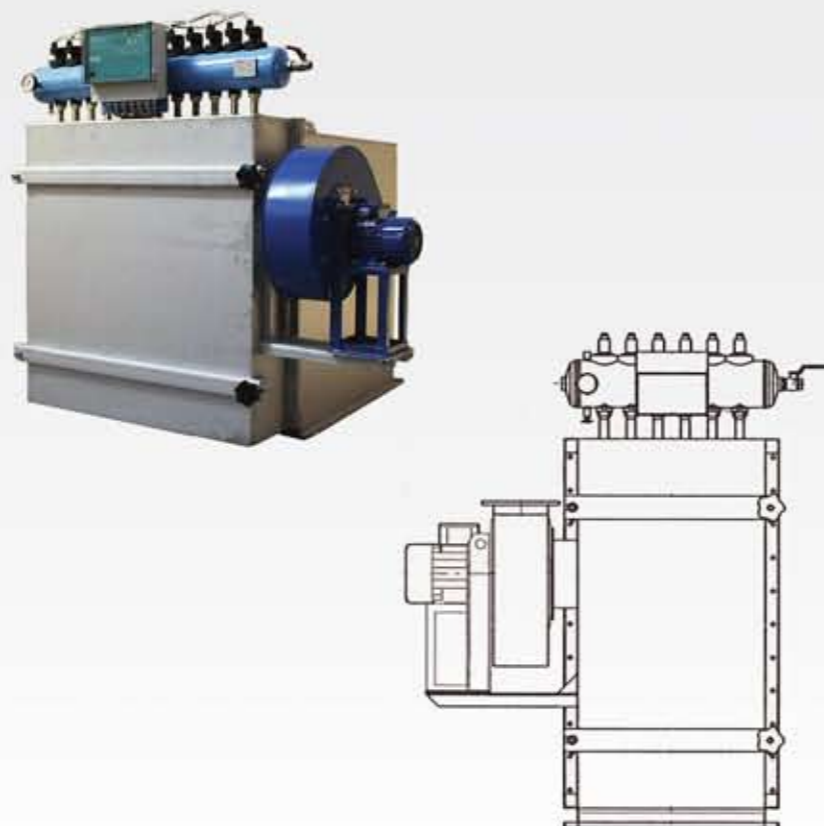
TECHNICAL FEATURES

SIZE: standard and on request

MATERIAL: SS 304/316L

ATEX VERSION

ACCESSORIES



AIR FILTER

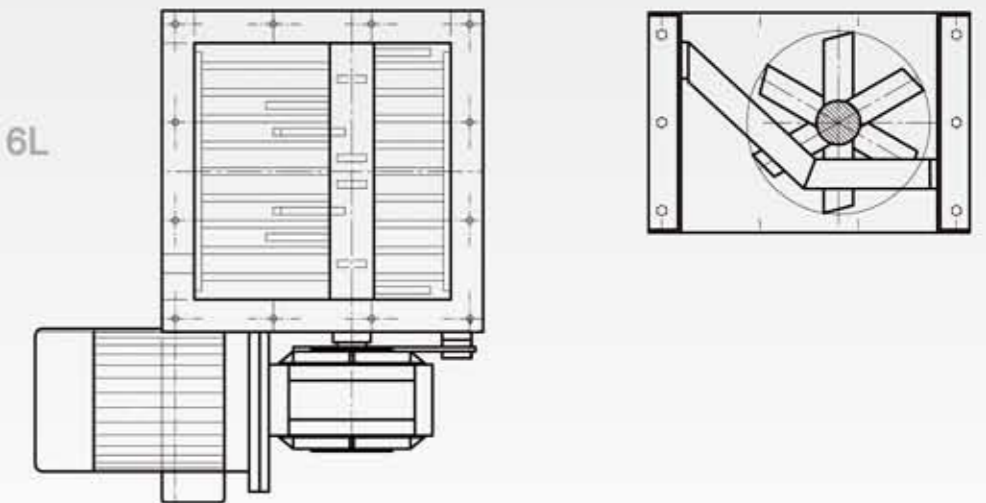
TECHNICAL FEATURES

SIZE: 250 to 600 or on request

MATERIAL: SS 304/316L

ATEX VERSION

ACCESSORIES



LUMP BREAKER



VSFC

SGA1

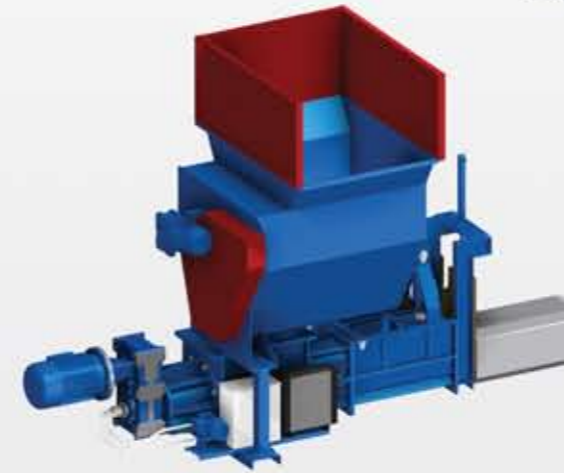


SGA2



VSDT

CP EXPANDED POLYSTYRENE



CP-PE WET EXPANDED POLYSTYRENE



COMPLETE AUTOMATIC PLANT

ROTARY VALVE / KNIFE VALVE
BULK MATERIAL HANDLING
DIVERTER VALVE / RELIEF VALVE

COMPACTOR

DTS/DTP



VPP



HYDRAULIC PRESS



CP-BAG



VDP/VDF



DTG 2-3 WAY



PRR100

CP-BIG BAG

